



Complete Specification Sheet

Orex™ 120V Static White



Orex™ 120V Static White

Line Voltage Linear LED Tape



Specifications

Category	Linear LED
Series	Orex 120V
Family	Static White
Watts Per Foot	250 lm/ft = 3W/ft, 500 lm/ft = 6W/ft
Environment	IP65
CRI	90+
CCT Options	2400K, 2700K, 3000K, 3500K, 4000K, 5000K, 6500K
Input Voltage	120V AC
Width	0.75in (19.0mm)
Height	0.51in (13.0mm)
Max Run Length	250 lm/ft = 120ft, 500 lm/ft = 100ft
Cut Intervals	3.00" (76.0mm)
Beam Angle	120°
Operating Temp.	-4°F (-20°C) to 107°F (42°C)
Dimming Options¹	0-10V (with LCX-1041), Triac, and ELV

¹Consult Factory for Dimmer Specific Compatibility

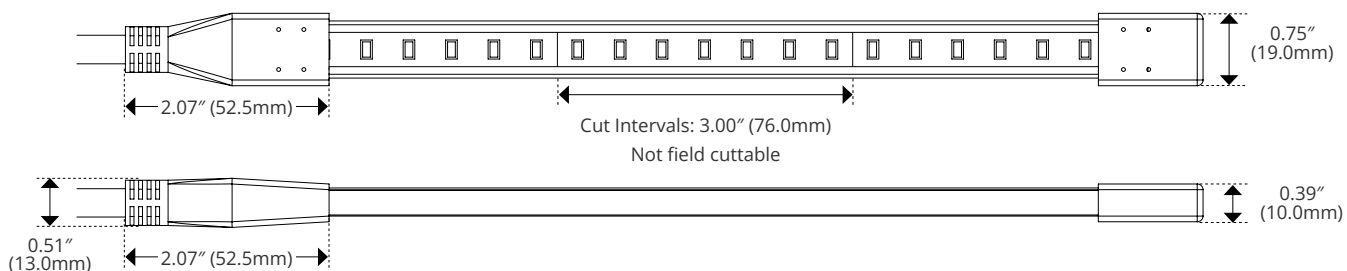
Features

- 120V Line Voltage
- Integral AC/DC Rectifier
- ETL, Triac, 0-10V (with LCX-1041)
- Hardwire or Plug-in Installation
- IP65

Description

Offering up to 500 lumens per foot, Orex is a simple indoor/outdoor line voltage solution to long run lengths requiring high output levels.

Dimensions



Kelvix reserves the right to update the product specifications at any time. Field modifications will void ETL listing and warranty.

Conforms to ANSI/UL Standard 2108
Certified to CAN/CSA Standard C22.2 No. 250.2

Fixture Type _____

Project Name _____

Location _____

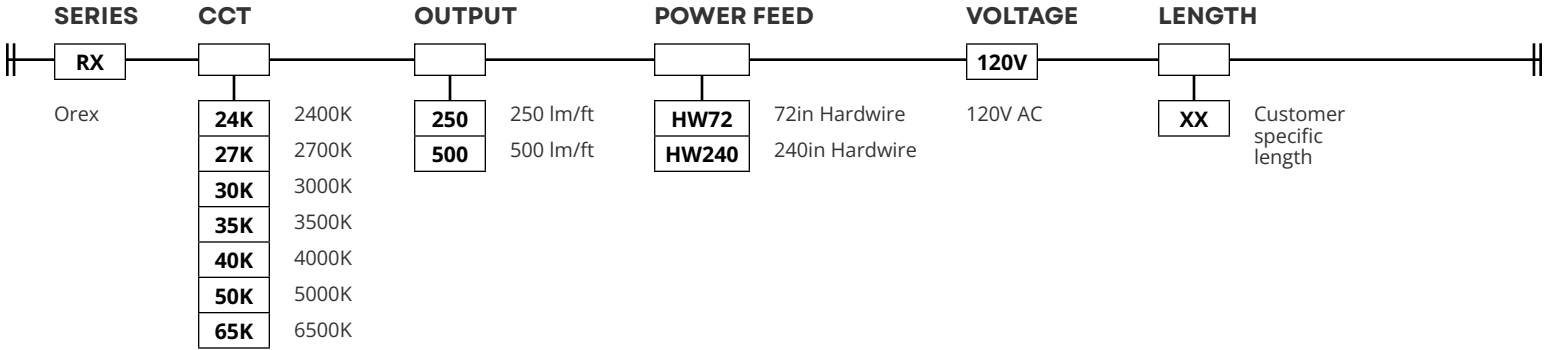


Product Code Builder

Orex™ 120V Static White

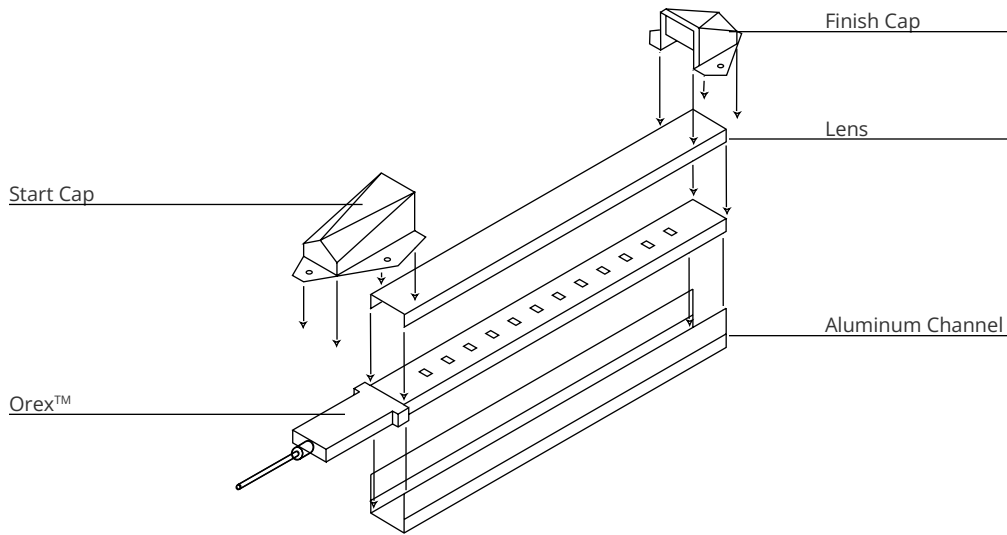
Product Code Builder

Example: RX-27K-250-HW72-120V-XX



PRODUCT DATA

	Configuration	2400K	2700K	3000K	3500K	4000K	5000K	6500K
Orex 250	Tape Only	222	251	256	263	268	276	279
	Tape, Channel, & Flat Lens	124	140	142	147	150	154	155
	Tape, Channel, & Square Lens	120	135	138	142	145	149	150
Orex 500	Tape Only	412	464	473	487	497	511	516
	Tape, Channel, & Flat Lens	237	267	272	281	286	294	297
	Tape, Channel, & Square Lens	245	275	281	290	295	304	306
% Difference from 30K	--	87%	98%	100%	103%	105%	108%	109%



Kelvix reserves the right to update the product specifications at any time. Field modifications will void ETL listing and warranty.
 Conforms to ANSI/UL Standard 2108
 Certified to CAN/CSA Standard C22.2 No. 250.2

Fixture Type _____
 Project Name _____
 Location _____



Aluminum Mounting Options

Orex™ 120V Static White

Mounting Options

IMAGE

Aluminum mounting options are not compatible with plastic mounting options

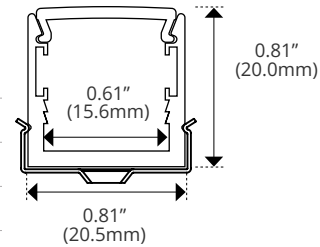
SPECIFICATIONS

DIMENSIONS

Flat Aluminum Channel



Length	78.74in (2m)
Width	0.81in (20.5mm)
Height	0.81in (20.5mm)
Internal Width	0.61in (15.6mm)
Light Transmission	57%

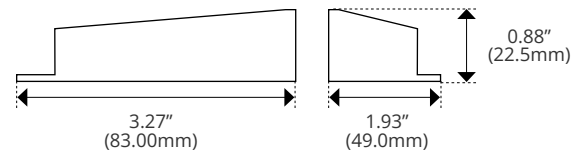


Includes 1 set of end caps, 5 mounting clips, and flat pixel free lens.

Flat Channel End Cap



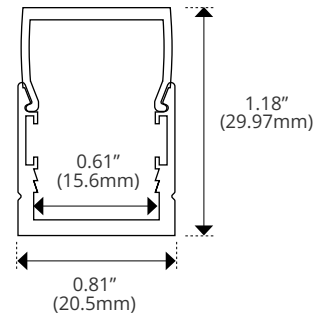
Start Cap Length	3.27in (83.0mm)
Finish Cap Length	1.93in (49.0mm)
Width	1.89in (47.95mm)
Height	0.88in (22.5mm)



Square Aluminum Channel



Length	78.74in (2m)
Width	0.81in (20.5mm)
Height	1.18" (29.97mm)
Internal Width	0.61in (15.6mm)
Light Transmission	57%

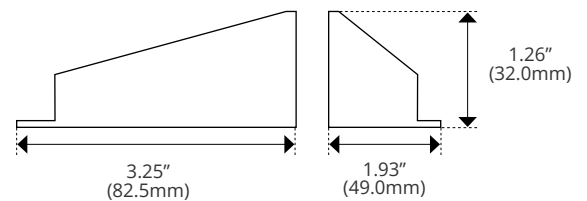


Includes 1 set of end caps, 5 mounting clips, and flat pixel free lens.

Square Channel End Cap



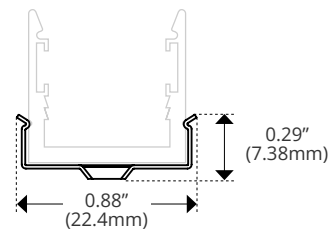
Start Cap Length	3.25in (82.5mm)
Finish Cap Length	1.93in (49.0mm)
Width	1.89in (47.95mm)
Height	1.26in (32.0mm)



Stainless Steel Clip



Length	0.88in (22.4mm)
Width	0.79in (20.0mm)
Height	0.29in (7.38mm)



Kelvix reserves the right to update the product specifications at any time. Field modifications will void ETL listing and warranty.

Conforms to ANSI/UL Standard 2108
Certified to CAN/CSA Standard C22.2 No. 250.2

Fixture Type _____

Project Name _____

Location _____



Plastic Mounting Options

Orex™ 120V Static White

Mounting Options

IMAGE

Plastic mounting options are not compatible with aluminum mounting options

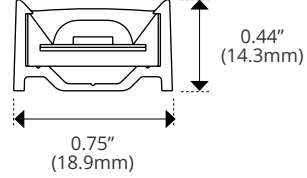
SPECIFICATIONS

DIMENSIONS

Plastic Mounting Base



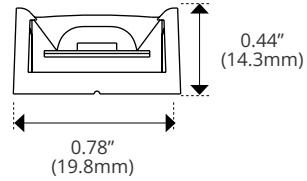
RX-CH-PL-2M	
Length	78.74in (2m)
Width	0.75in (18.9mm)
Height	0.44in (14.3mm)



Mounting Clip



RX-CLP-F1-PAK-P	
Length	0.56in (15.0mm)
Width	0.78in (19.8mm)
Height	0.44in (14.3mm)

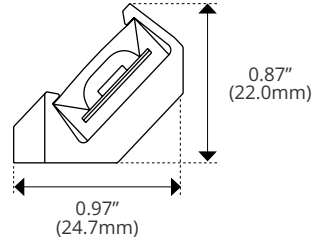


Pack of 10 Units

45° Mounting Clip



RX-CLP-A1-PAK-P	
Length	0.78in (19.7mm)
Width	0.97" (24.7mm)
Height	0.87in (22.0mm)

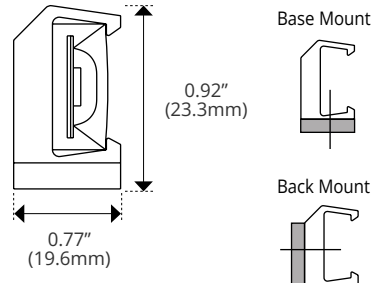


Pack of 10 Units

90° Mounting Clip



RX-CLP-V1-PAK-P	
Length	0.77in (19.6mm)
Width	0.52in (13.3mm)
Height	0.92in (23.3mm)



Pack of 10 Units

Kelvix reserves the right to update the product specifications at any time. Field modifications will void ETL listing and warranty.
 Conforms to ANSI/UL Standard 2108
 Certified to CAN/CSA Standard C22.2 No. 250.2

Fixture Type _____

Project Name _____

Location _____



Power Feed Details

Orex™ 120V Static White

Factory Molded Power Feeds and Connectors

IMAGE

DETAILS

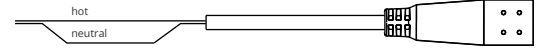
DIAGRAM

Hardwire Power Feed



RX-HWP-72-IM | 72in (6.0ft)

RX-HWP-240-IM | 240in (20.0ft)

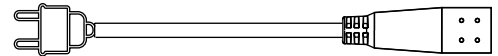


Plug-in Power Feed



RX-PLG-72-IM | 72in (6.0ft)

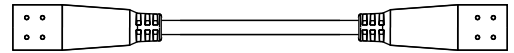
RX-PLG-144-IM | 144in (12.0ft)



Jump Cables



SERIES	TYPE	LENGTH	TYPE
RX	JP		IM
Orex	Jumper Cable	6	Injection Mold
		24	
		48	
		6in (0.5ft)	
		24in (2.0ft)	
		48in (4.0ft)	



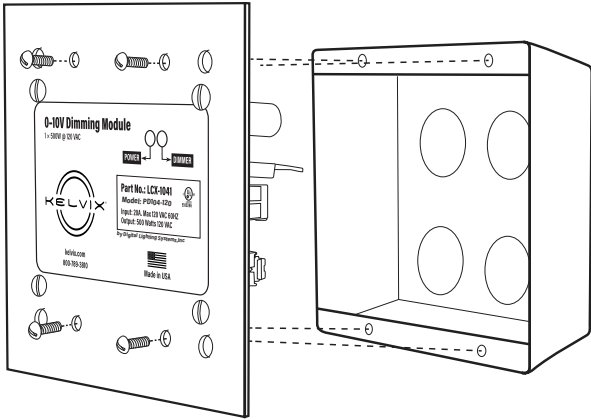


Power Details

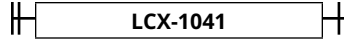
Orex™ 120, Title 24

Power Supply Details

DETAILS

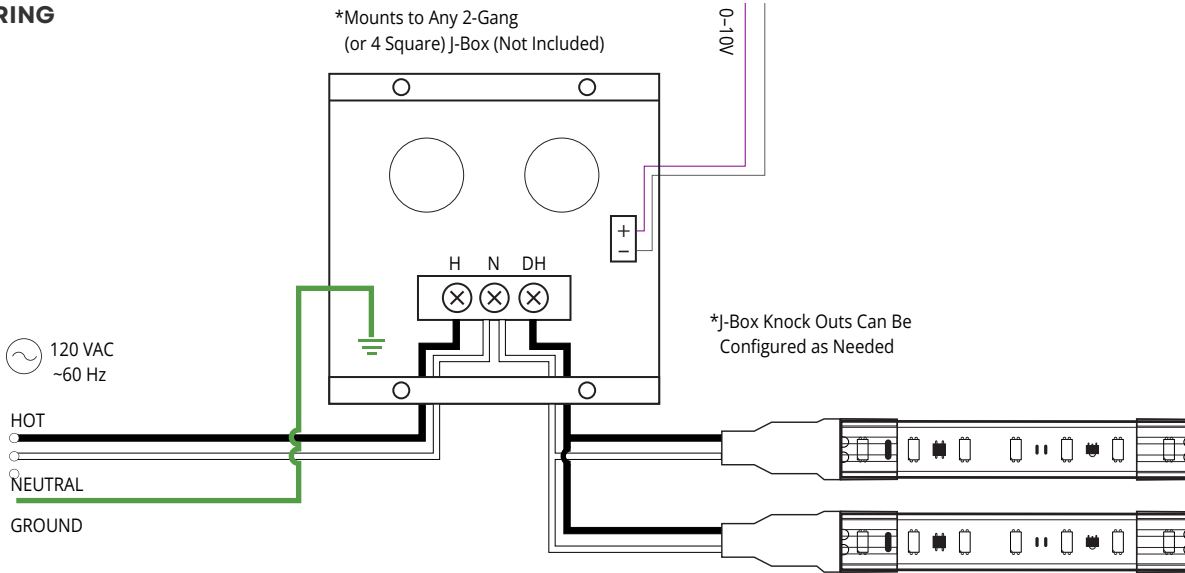


SPECIFICATION

	
Model	LCX-1041
Input Voltage	120 VAC
Output Voltage	120 VAC
Output	500W Max
Standard Consumption	3.2W
Front Panel Dimensions	4.8in (121.9mm) × 4.8in (121.9mm)
Depth	1.875"
Ambient Temperature	104°F Max

1 Channel × 500W Dimmer @ 120 VAC
 Mounts to Any 2-Gang (or 4 Square) J-Box
 0-10V Control Inputs

WIRING



Kelvix reserves the right to update the product specifications at any time. Field modifications will void ETL listing and warranty.
 Conforms to ANSI/UL Standard 2108
 Certified to CAN/CSA Standard C22.2 No. 250.2

Fixture Type _____

Project Name _____

Location _____