



Complete Specification Sheet

Orex™ Title 24 Static White

LINEAR
LED



Orex™ Title 24 Static White

Line Voltage 120HZ Refresh Rate Linear LED Tape



Specifications

Category	Linear LED
Series	Orex T24
Family	Static White
Watts Per Foot	4W/ft
CRI	90+
CCT Options	2400K, 2700K, 3000K, 3500K, 4000K, 5000K
Input Voltage	120V AC
Width	2.5" (63.5mm)
Height	0.69" (17.0mm)
Max Run Length	100ft
Cut Intervals	4.0in (101.6mm)
Beam Angle	120°
Operating Temp.	-4°F (-20°C) to 107°F (42°C)
Dimming Options	0-10V (with LCX-1041), Triac, and ELV

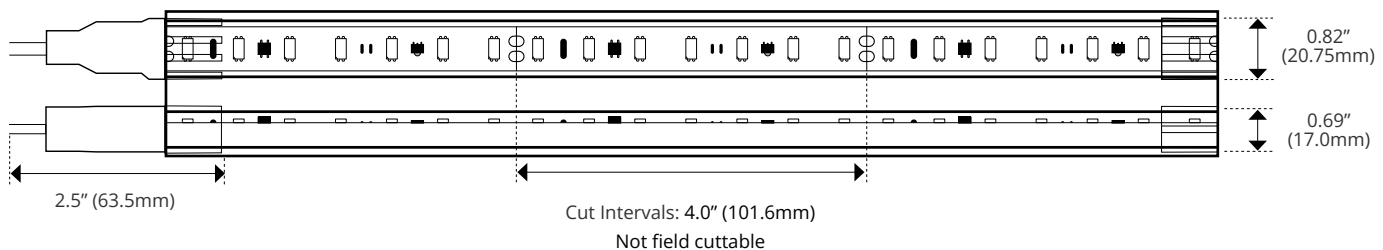
Features

- Supports Title 24 JA8-2016 Compliance
- 120V Line Voltage
- Integral AC/DC Rectifier
- ELV Dimmable
- Hardwire or Plug-in Installation
- IP65
- Refresh Rate of 120Hz

Description

Boasting a refresh rate of 120Hz, OREX T-24 offers up to 300 lumens per foot. With a maximum run length of up to 100 feet and an IP65 rating, OREX T-24 is the perfect solution for both indoor and outdoor applications.

Dimensions



Kelvix reserves the right to update the product specifications at any time. Field modifications will void ETL listing and warranty.

Conforms to ANSI/UL Standard 2108
Certified to CAN/CSA Standard C22.2 No. 250.2

Fixture Type _____

Project Name _____

Location _____

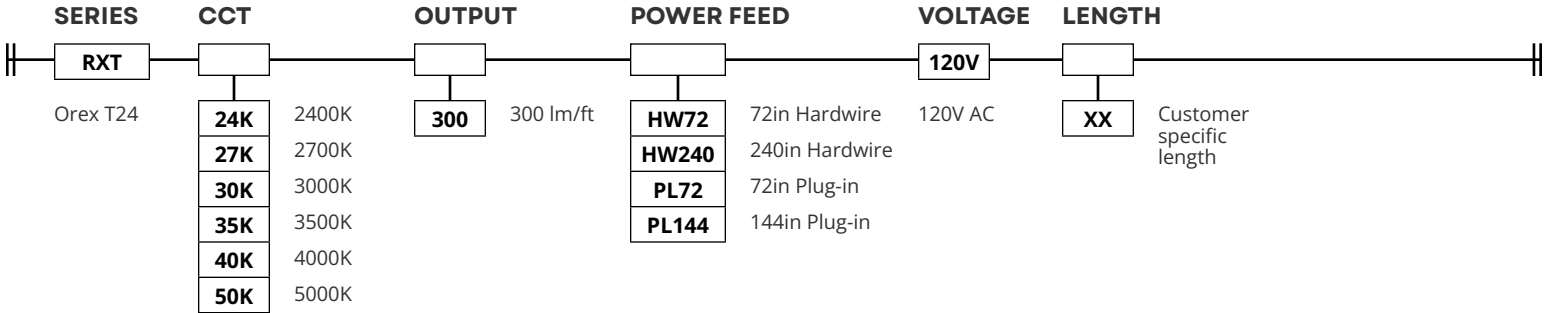


Product Code Builder

Orex™ Title 24 Static White

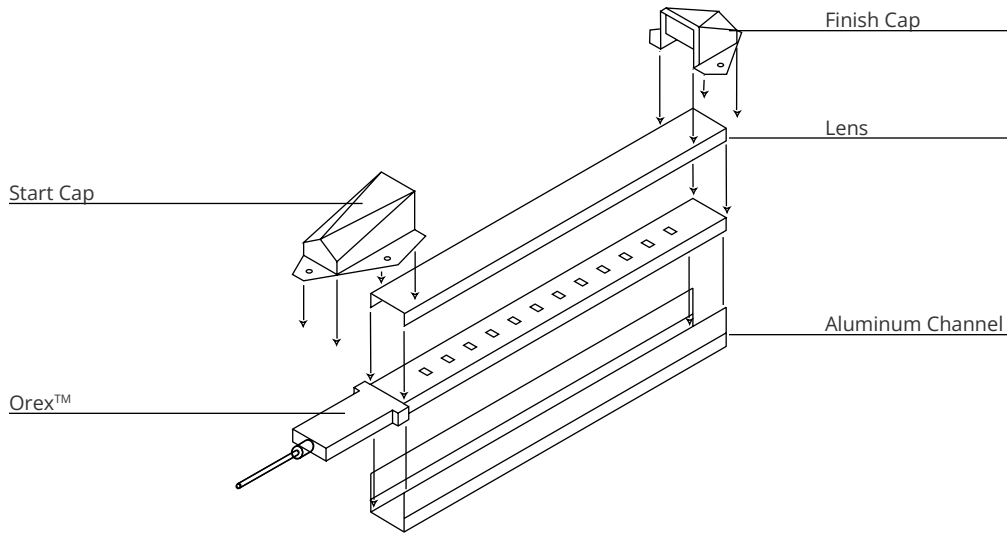
Product Code Builder

Example: RXT-27K-300-HW72-120V-XX



PRODUCT DATA

MODEL:	RXT-24K	RXT-27K	RXT-30K	RXT-35K	RXT-40K	RXT-50K
Kelvin	2400K	2700K	3000K	3500K	4000K	5000K
Lumens	260 lm/ft	272 lm/ft	279 lm/ft	301 lm/ft	320 lm/ft	326 lm/ft



Kelvix reserves the right to update the product specifications at any time. Field modifications will void ETL listing and warranty.

Conforms to ANSI/UL Standard 2108
Certified to CAN/CSA Standard C22.2 No. 250.2

Fixture Type _____

Project Name _____

Location _____



Mounting Options

Orex™ Title 24 Static White

Mounting Options

IMAGE

SPECIFICATIONS

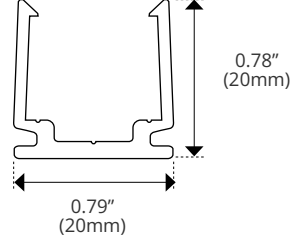
DIMENSIONS

Plastic Mounting Base



RXT-CH-PL-2M	
Length	0.56in (15.0mm)
Width	0.79in (20mm)
Height	0.44in (14.3mm)

Pack of 10 Units

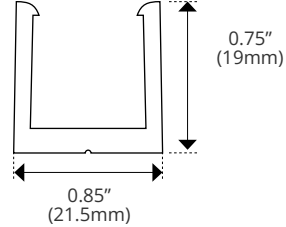


Mounting Clip



RXT-CLP-F1-PAK-P	
Length	0.67" (17mm)
Width	0.85in (21.5mm)
Height	0.75in (19mm)

Pack of 10 Units





Power Feed Details

Orex™ Title 24 Static White

Factory Molded Power Feeds and Connectors

IMAGE

Hardwire Power Feed



Plug-in Power Feed



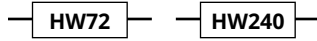
=

Jump Cables

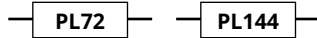


DETAILS

Parent Part number

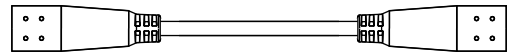
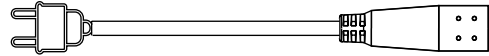
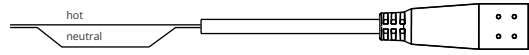


Parent Part number



Available Upon Request

DIAGRAM



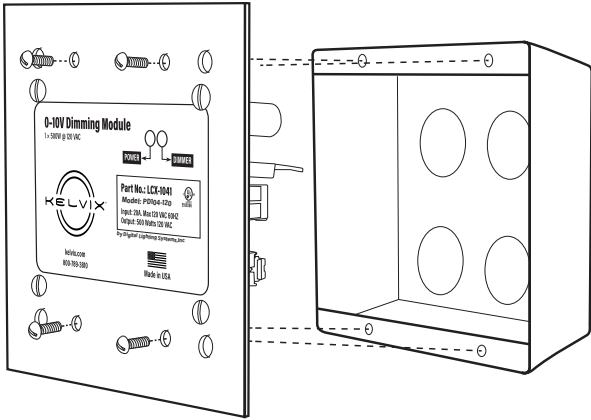


Power Details

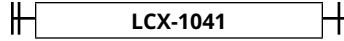
Orex™ 120, Title 24

Power Supply Details

DETAILS

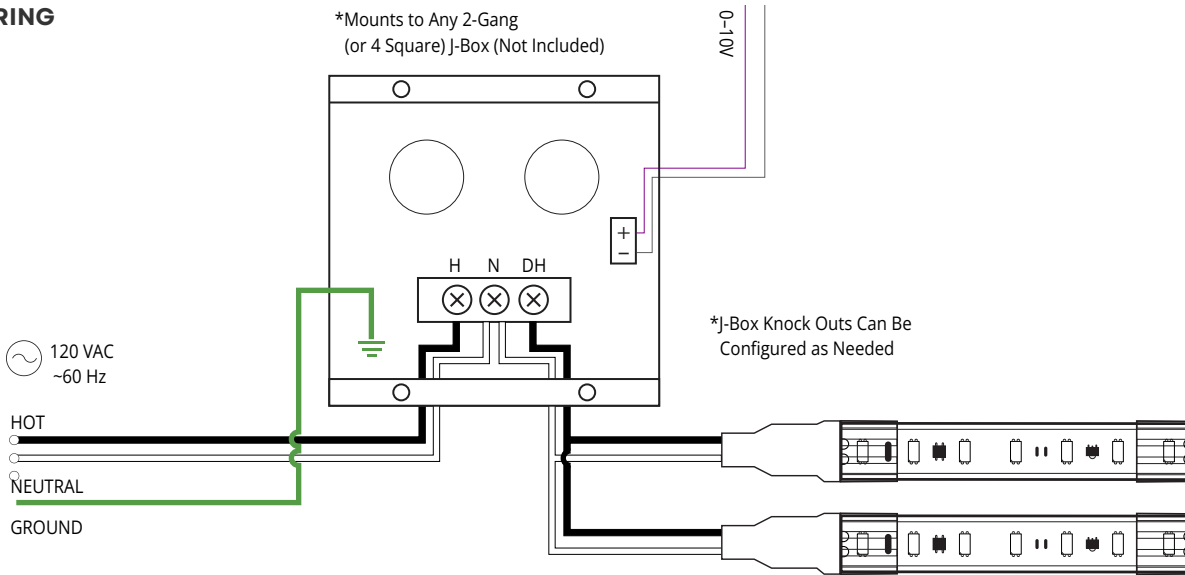


SPECIFICATION

	
Model	LCX-1041
Input Voltage	120 VAC
Output Voltage	120 VAC
Output	500W Max
Standard Consumption	3.2W
Front Panel Dimensions	4.8in (121.9mm) × 4.8in (121.9mm)
Depth	1.875"
Ambient Temperature	104°F Max

1 Channel × 500W Dimmer @ 120 VAC
 Mounts to Any 2-Gang (or 4 Square) J-Box
 0-10V Control Inputs

WIRING



Kelvix reserves the right to update the product specifications at any time. Field modifications will void ETL listing and warranty.
 Conforms to ANSI/UL Standard 2108
 Certified to CAN/CSA Standard C22.2 No. 250.2

Fixture Type _____

Project Name _____

Location _____