



# Complete Specification Sheet

## DMX 5CH Decoder

# DMX 5CH Decoder

DMX Decoder  
5 Channel 8 Ach



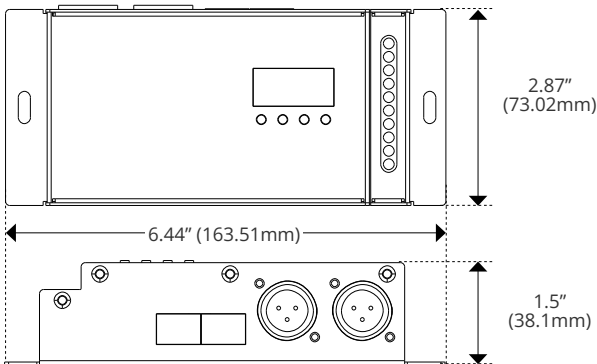
### Specifications

|                 |                               |
|-----------------|-------------------------------|
| Category        | Controls and Dimmers          |
| Series          | DMX                           |
| Family          | 5CH                           |
| Environment     | IP20                          |
| Input Voltage   | 12 - 24V DC                   |
| Output Voltage  | 5 x 8A                        |
| Dimming Range   | 0.4% - 100%                   |
| Length          | 6.44in (163.51mm)             |
| Width           | 2.87in (73.02mm)              |
| Height          | 1.5in (38.1mm)                |
| Operating Temp. | -13°F (-25°C) to 122°F (50°C) |

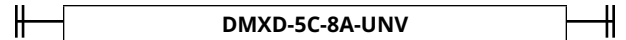
### Features

- RGBW 5-Channel DMX Decoder
- Standard DMX512 Compliant Interface
- Digital Numeric Display for DMX Address Assignment
- Adjustable Pulse Width Modulation Frequency
- Adjustable Dimming Curve Gamma Value
- Accepts DMX via XLR, RJ45, and Terminal Block
- Supports remote management via RDM Protocol

### Dimensions



### Order Code



Kelvix reserves the right to update the product specifications at any time. Field modifications will void Kelvix warranty

Fixture Type \_\_\_\_\_

Project Name \_\_\_\_\_

Location \_\_\_\_\_



# Wiring Details

## DMX 5CH Decoder

### Important Information Regarding DMX512 Systems

#### DMX WIRING

Per PLASA and USITT standards, 120 ohm, twisted shielded, EIA-485 cable is suitable for DMX512 data. For distances up to 1000ft, Kelvix recommends Belden 9841/9842 or equivalent.

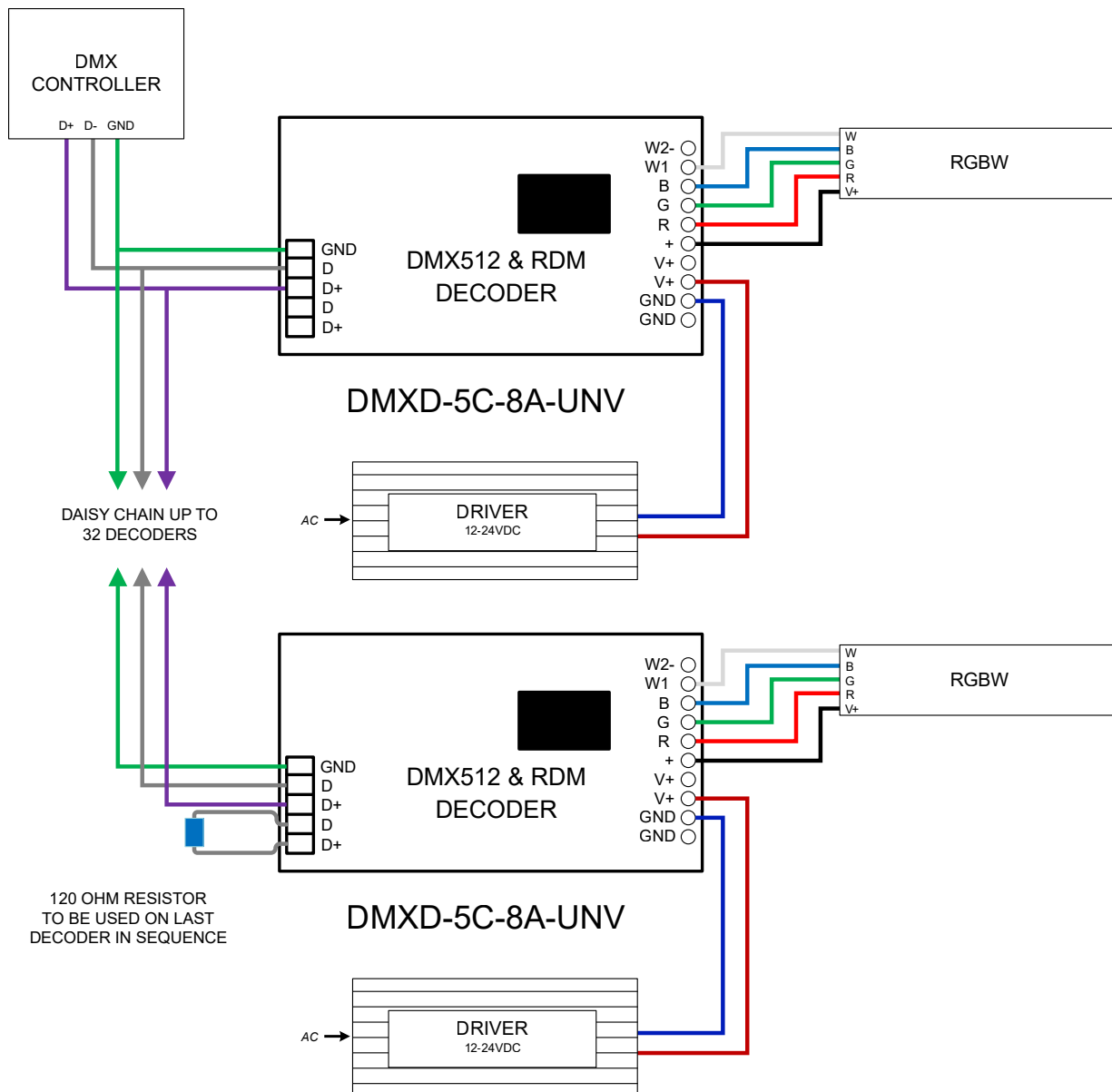
#### SPLITTING & REPEATING

DMX Signal can typically only run across 32 devices that are daisy chained together before a new DMX line is needed. Systems with more than 32 devices will need either a DMX splitter or a DMX repeater.

#### TERMINATIONS

It is highly recommended to use a Terminator on the last device in a single run of DMX to help reduce noise, reflection, and interference. Terminators should be a 120-ohm 1/2 watt resistor.

### Wiring Diagram RGBW



Kelvix reserves the right to update the product specifications at any time. Field modifications will void Kelvix warranty

Fixture Type \_\_\_\_\_

Project Name \_\_\_\_\_

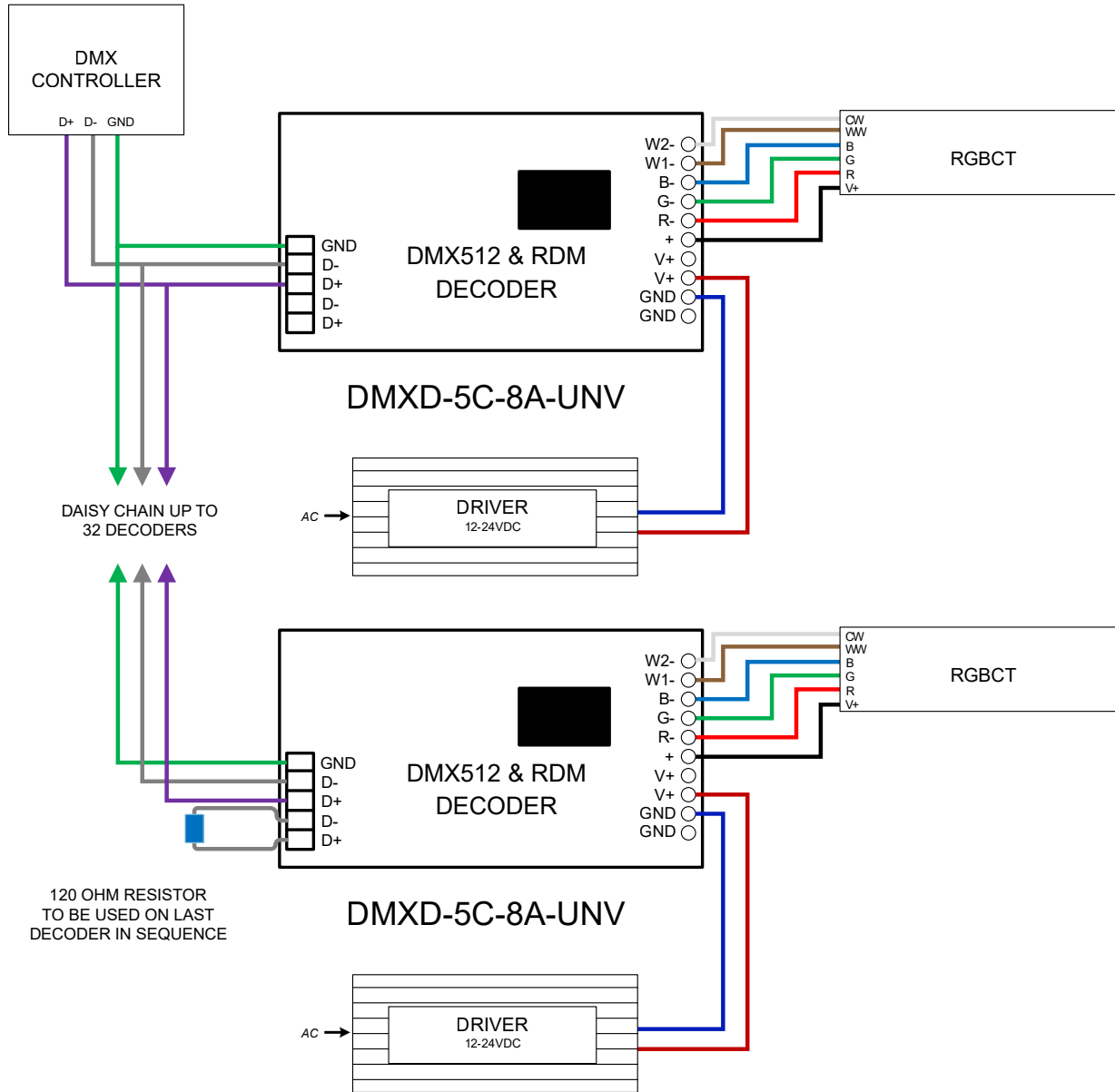
Location \_\_\_\_\_



# Wiring Details

## DMX 5CH Decoder

### Wiring Diagram RGBCT



Kelvix reserves the right to update the product specifications at any time. Field modifications will void Kelvix warranty

Fixture Type \_\_\_\_\_

Project Name \_\_\_\_\_

Location \_\_\_\_\_