



# CH-202

## EXTRUDED ALUMINUM MOUNTING CHANNEL

Fixture Type: \_\_\_\_\_

Project: \_\_\_\_\_

Location: \_\_\_\_\_

### PRODUCT FEATURES

- Available in 2 meter sections
- Extruded aluminum construction
- Anodized matte finish
- Consult factory for custom lengths & finishes

### SPECIFICATIONS

Model	CH-202
Length	78.74" (2m)
External Width	0.688" (17.1mm)
Internal Width	0.5" (13.1mm)
Height	0.625" (15.3mm)
Pivot Clip Height @ 90°	1.063" (27mm)



Aluminum Profile



Mounting Clip (CP)



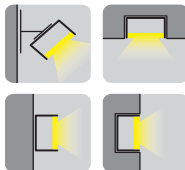
White Lens (WH)



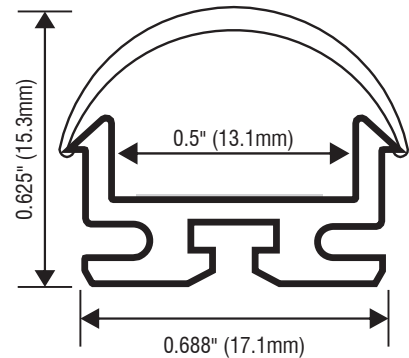
Pivot Mounting Clip (PV)



End Caps (with/without hole)



Applications



### ORDERING INFORMATION

Example: **CH202-2-WH-CP-EC**

