



CH-027

EXTRUDED ALUMINUM MOUNTING CHANNEL

Fixture Type: _____

Project: _____

Location: _____

PRODUCT FEATURES

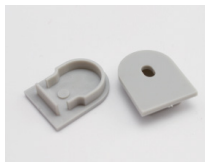
- Available in 2 meter sections
- Extruded aluminum construction
- Anodized matte finish
- Consult factory for custom lengths & finishes

SPECIFICATIONS

Model	CH-027
Length	78.74" (2m)
Overall Width	0.813" (20.3mm)
Internal Width	0.688" (16.7mm)
Height	1.063" (27mm)



White lens (WH)
Frost lens (FR)



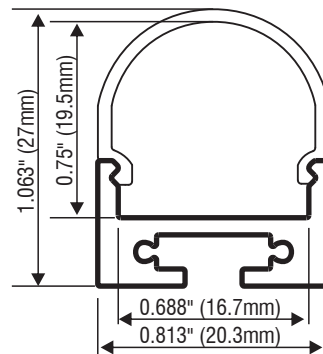
End cap with hole
End cap without hole



2M Suspension cable (SP)



Mounting Clips (CP)



ORDERING INFORMATION

Example: **CH027-2-WH-SP-EC**

