



Z5—ZOLO™ 5

SLIM INDOOR/OUTDOOR LED WASHER/GRAZER

Fixture Type: _____

Project: _____

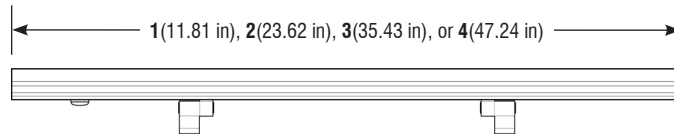
Location: _____

PRODUCT FEATURES

- High Purity Tempered Glass
- Extruded Aluminum Alloy Housing
- Available in Titanium Gray, Black or White Finish
- Multi Volt 24VDC Remote Driver (Sold Separately)
- Daisy Chain Multiple Fixtures
- IP66 Outdoor Rated
- Louver Options Available

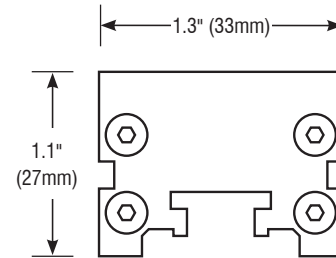


* Pictured with Optional [ALV] Asymmetric Louver



SPECIFICATIONS

Input Voltage	24VDC / Constant Voltage
Watts per Foot	8W (Custom Wattages Available—Consult Factory)
Lumen per Watt	100 lm/W
Lumen per Foot	800 lm/ft
Beam Spread	25° × 40°, 30° × 55°, 30°, 50°
Max Run Length	Up to 96W per Power Feed
Dimensions	1.3" (33mm) × 1.1" (27mm) × Variable (see below)
CRI	85 (Custom CRI Available—Consult Factory)
Dimming Options	PWM, Triac, 0–10V, DMX, Hi-lume
Temp Range	-40°F (-40°C) to 140°F (60°C)



ORDERING INFORMATION

Example: Z5-2-8W-27K-2540-S2-TG-NA

Item	Length	Output	CCT	Beam Angle	Mounting	Finish	Option
Z5		8W					
Z5—Zolo-5	1—11.81" (300mm) 2—23.62" (600mm) 3—35.43" (900mm) 4—47.24" (1200mm)	8W—8W/ft <i>* Custom Wattages Available</i>	27K—2700K 30K—3000K 35K—3500K 40K—4000K <i>* Custom CCT Available</i>	2540—25°×40° 3055—30°×55° 30—30° 50—50°	S1—1" Stand Off S2—2" Stand Off CP—Mounting Clip GS—Ground Stake	TG—Titanium Gray BK—Black WH—White	NA—None LV—Louver ALV—Asymmetric Louver

Conforms to ANSI/UL Standard 2108
Certified to CAN/CSA Standard C22.2 No. 250.0





Z5—ZOLO™ 5 OPTIONS

FOR USE WITH ZOLO 5

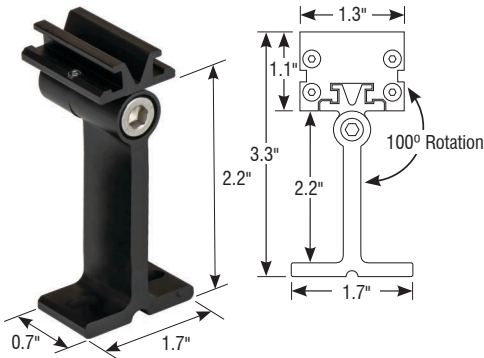
Fixture Type: _____

Project: _____

Location: _____

MOUNTING OPTIONS

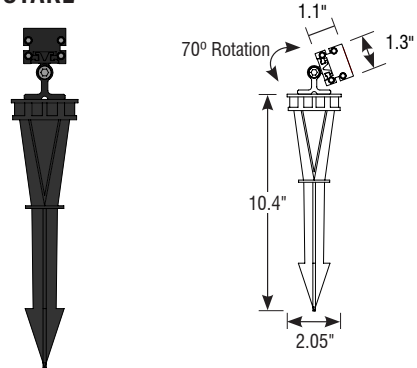
2" STAND OFF



SPECIFICATIONS

Option	Z-05-S2	Foot Width	1.7"
Stand Off Height	2.2"	Foot Length	0.7"

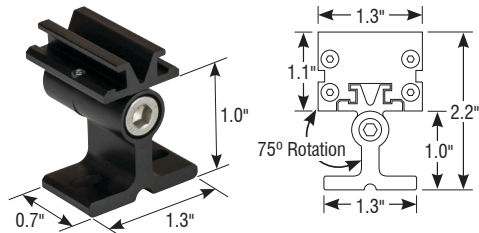
GROUND STAKE



SPECIFICATIONS

Option	Z-05-GS	Stake Width	2.05"
Stand Off Height	1"	Stake Length	10.4"

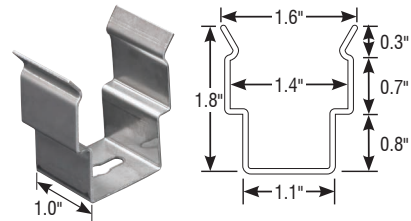
1" STAND OFF



SPECIFICATIONS

Option	Z-05-S1	Foot Width	1.3"
Stand Off Height	1.0"	Foot Length	0.7"

MOUNTING CLIP

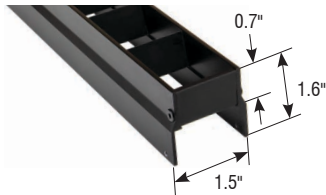


SPECIFICATIONS

Option	Z-05-CP	Overall Width	1.6"
		Overall Height	1.8"

GLARE OPTIONS

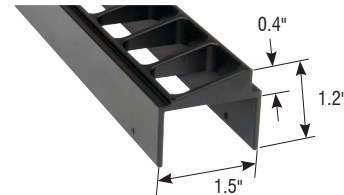
LOUVER



SPECIFICATIONS

Option	Z-05-LV	Overall Height	1.6"
Louver Height	0.7"	Louver Width	1.5"

ASYMMETRIC LOUVER



SPECIFICATIONS

Option	Z-05-ALV	Overall Height	1.2"
Louver Height	0.4"	Louver Width	1.5"



Z5—ZOLO™ 5 OPTIONS

FOR USE WITH ZOLO 5

Fixture Type: _____

Project: _____

Location: _____

POWER LEAD **REQUIRED ITEM!**

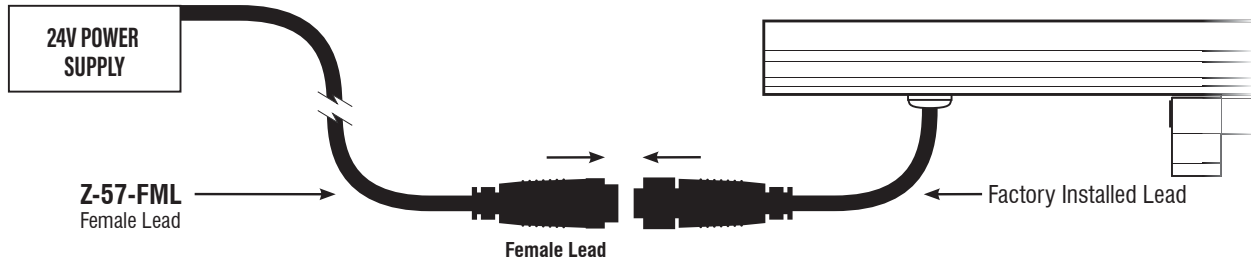
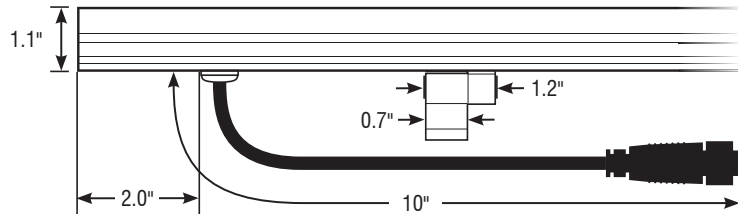
Connects a Zolo or group of Zolo fixtures to the power supply. Please specify length.

POWER LEAD CABLE

Connects Factory Installed Lead to Power Supply

SPECIFICATIONS

Option Z-57-FML-6	Option Z-57-FML-20
Length 6ft	Length 20ft
Option Z-57-FML-50	
Length 50ft	



CONNECTOR

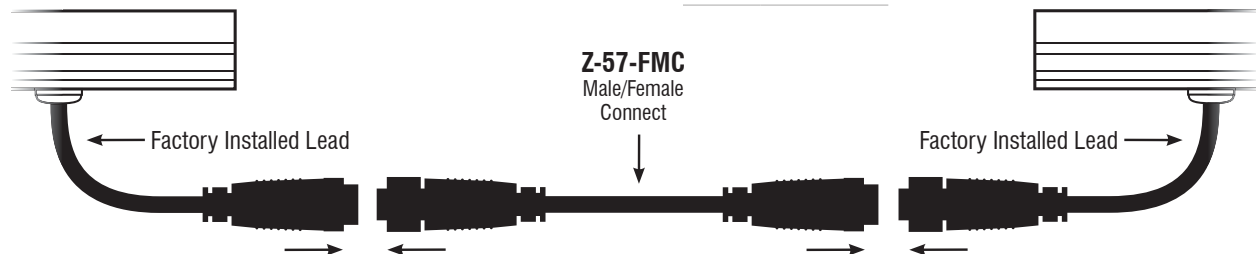
ZOLO INTERCONNECT CABLES

Daisy Chains Multiple Fixtures



SPECIFICATIONS

Option Z-57-FMC-1	Option Z-57-FMC-2
Length 1ft	Length 2ft
Option Z-57-FMC-6	
Length 6ft	





Z5—ZOLO™ 5 WIRING OPTIONS

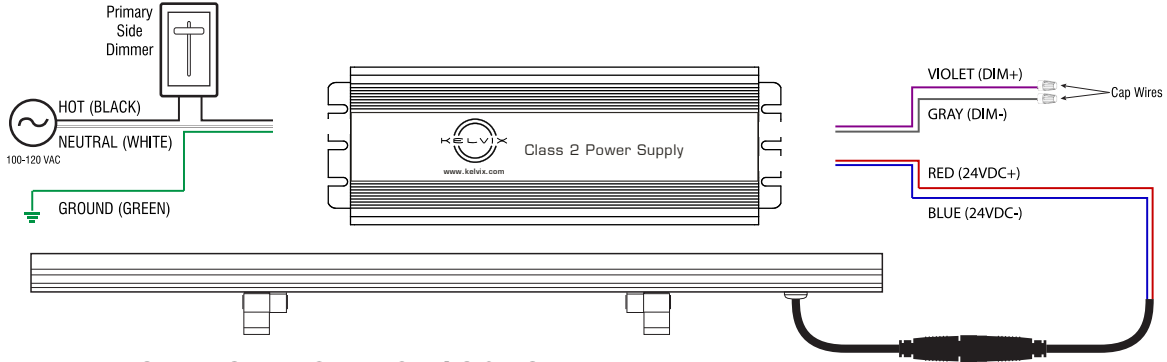
SLIM INDOOR/OUTDOOR LED WASHER/GRAZER

Fixture Type: _____

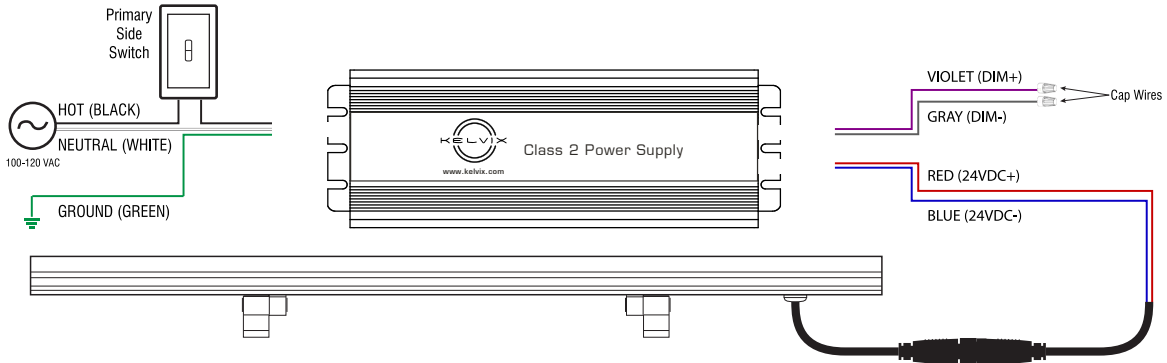
Project: _____

Location: _____

PRIMARY SIDE DIMMING (120V ONLY)



PRIMARY SIDE SWITCHING (120-277V)



0-10V DIMMING (120-277V)

