



# DMXD-4C-5A-TB

4-CHANNEL | 5AMP/CH | DMX DECODER

Fixture Type: \_\_\_\_\_

Project: \_\_\_\_\_

Location: \_\_\_\_\_



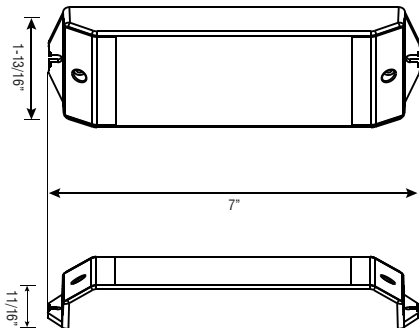
## PRODUCT FEATURES

- RGBW 4-channel DMX decoder
- Standard DMX512 compliant interface
- Digital numeric display for DMX address assignment
- Adjustable pulse width modulation frequency
- Switchable logarithmic or linear dimming

## SPECIFICATIONS

Model	DMXD-4C-5A-TB
Input Voltage	12-24V DC
Output	4 x 5A
Constant Voltage	Yes
Dimensions L*W*D	7" x 1-13/16" x 11/16"
IP Rating	IP20
Temp Range	-4°F to 122°F
Dim Range	0.4% to 100%

## DIMENSIONS



## WIRING EXAMPLE

