



CH-409

EXTRUDED ALUMINUM MOUNTING CHANNEL

Fixture Type: _____

Project: _____

Location: _____

PRODUCT FEATURES

- Available in 2 meter sections
- Extruded aluminum construction
- Anodized matte finish
- Consult factory for custom lengths & finishes

SPECIFICATIONS

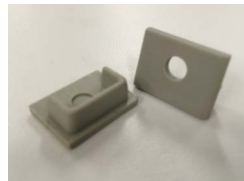
Model	CH-409
Length	78.74" (2m)
External Width	0.688" (18mm)
Internal Width	0.563" (15mm)
Height	0.5" (13mm)



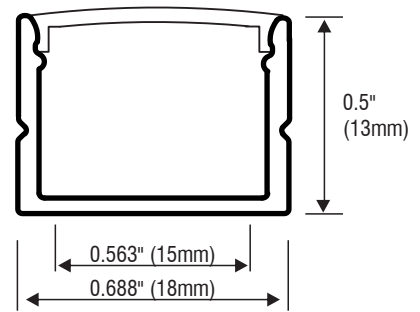
White lens (WH)
White continuous lens (SWH)



Mounting clip X5 (CP)



End caps with hole X2 (EC)



ORDERING INFORMATION

Example: **CH409-2-WH-CP-EC**

