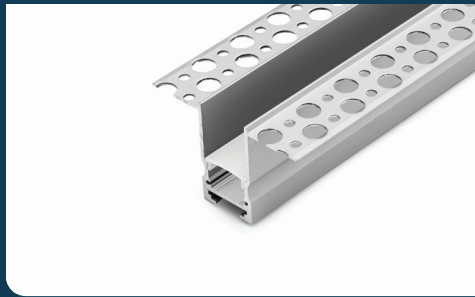


FIXTURE TYPE \_\_\_\_\_

PROJECT NAME \_\_\_\_\_

LOCATION \_\_\_\_\_



# CH-0006

TRIMLESS & MUD-IN CHANNEL

Create perfectly flush, seamless lines of light without modifying the structure behind the sheet rock.

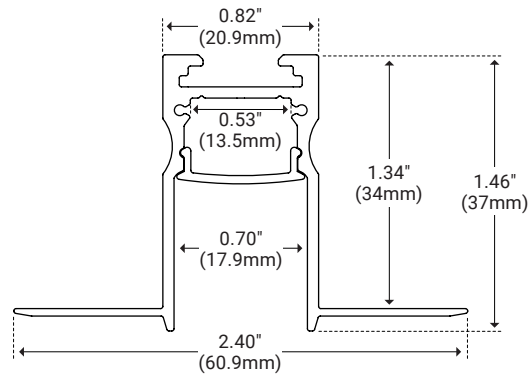


## I Features

- Available In 78.74" (2m) Sections
- Extruded Aluminum Construction
- Anodized Matte Finish
- Straight and Angled Connectors Available to Create Long, Continuous Runs
- Drywall Mud-in Mounting for a Seamless Recessed Look
- Consult Factory for Custom Lengths and Finishes
- Available In Various Finish Colors

## I Dimensions

Length	78.74" (2m)
Width (External)	2.40" (60.9mm)
Width (Internal)	0.53" (13.5mm)
Height	1.46" (37mm)



## I Ordering Code Builder

Series	Length	Lens	End Caps
<b>CH0006</b>	<b>2</b>		<b>EC</b>
CH0006 – CH-0006	2 – 2 Meters	<b>WH</b> – White <b>WHC</b> – White Continuous <b>BK</b> – Black	<b>EC</b> – End Cap Pair

Example: CH0006-2-WH-EC



## I Lens



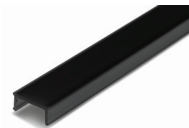
### White Lens

Unit Number	CH-LNS-AF-WH-2M	Ordering Code	WH
Dimension	L 78.74" (2m)	W 0.66" (16.8mm)	H 0.20" (5.2mm)
Light transmission	70%		



### White Lens Continuous

Unit Number	CH-LNS-AF-WH-CO	Ordering Code	WHC
Dimension	L Varies	W 0.66" (16.8mm)	H 0.20" (5.2mm)
Light Transmission	70%		



### Black Lens

Unit Number	CH-LNS-AF-BK-2M	Ordering Code	BK
Dimension	L 78.74" (2m)	W 0.66" (16.8mm)	H 0.20" (5.2mm)
Light transmission	30%		



### Disposable Cover

Unit Number	CH-LNS-AF-DISP-2M	Ordering Code	INCLUDED
Dimension	L 78.74" (2m)	W 0.66" (16.8mm)	H 0.20" (5.2mm)
Description	Used to protect interior LED area during installation.		

## I End Cap



### End Cap Pair

Unit Number	CH-EC-0006	Ordering Code	EC
Dimension	L 0.08" (2mm)	W 0.82" (20.9mm)	H 1.46" (37mm)

## I Optional Accessories

Product	Unit Number	Description
Straight Connector	CH-CON-02-180	Secure two pieces of channel together to form a continuous run of light.
90° Connector Horizontal	CH-CON-03-90H	Secure two pieces of channel together to form a 90° horizontal corner.
90° Connector Vertical	CH-CON-02-90V	Secure two pieces of channel together to form a 90° vertical corner.
120° Connector Horizontal	CH-CON-02-120H	Secure two pieces of channel together to form a 120° horizontal corner.