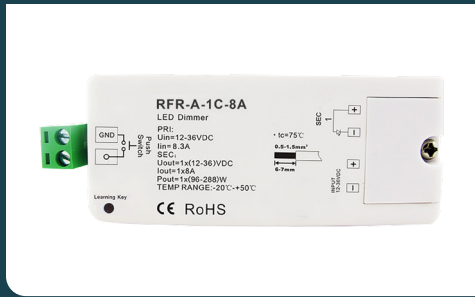


FIXTURE TYPE \_\_\_\_\_

PROJECT NAME \_\_\_\_\_

LOCATION \_\_\_\_\_



# RFR-A-1C-8A

Single Channel | 8 AMP | RF Receiver



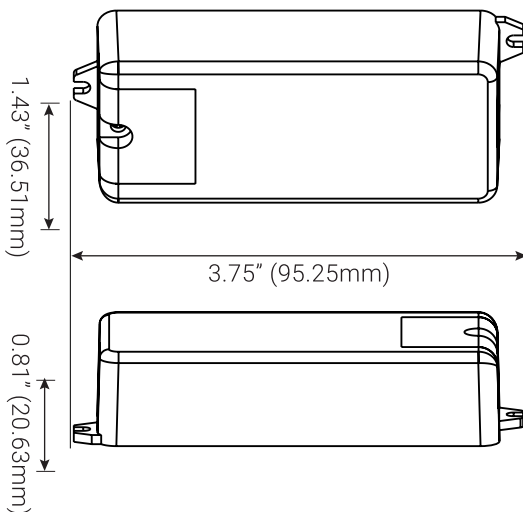
## I Features

- Single-Color RF Receiver
- Compatible With Multiple RF Controllers
- Compatible with RFC-A series controllers
- On-Board Learning Key for Zone Assignment
- Compatible With RFC-A-WIFI for Mobile App Control

## I Series Spec

|                       |                              |
|-----------------------|------------------------------|
| Series                | RFR                          |
| Input Voltage         | 12-24V DC                    |
| Output Voltage        | 1 x 8A                       |
| Constant Voltage      | Yes                          |
| Device Color          | White                        |
| Length                | 3.75" (95.25mm)              |
| Width                 | 1.43" (36.51mm)              |
| Height                | 0.81" (20.63mm)              |
| IP Rating             | IP20                         |
| Dimming Range         | 1% - 100%                    |
| RF Range              | Up to 50ft                   |
| Operating Temperature | -4°F (-20°C) to 122°F (50°C) |
| Storage Temperature   | -4°F (-20°C) to 167°F (75°C) |

## I Dimensions



## I Wiring Example

