

FIXTURE TYPE _____

PROJECT NAME _____

LOCATION _____



RFC-A-CCT-1ZD-IW-BT-W

1 Zone | CCT | In-Wall Control Station



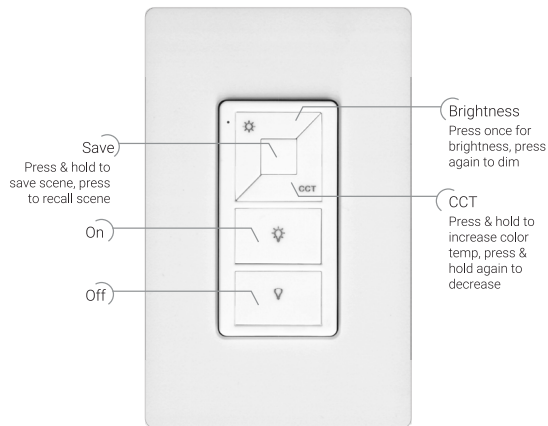
I Features

- Dimming and Color Tuning via Push Button Controls
- Removable, Magnet-Mount Controller
- Compatible With 1-Gang Electrical Box
- Compatible With RFR-A Series Receivers
- Can Control Multiple RF Receivers
- Battery Operated (Included)

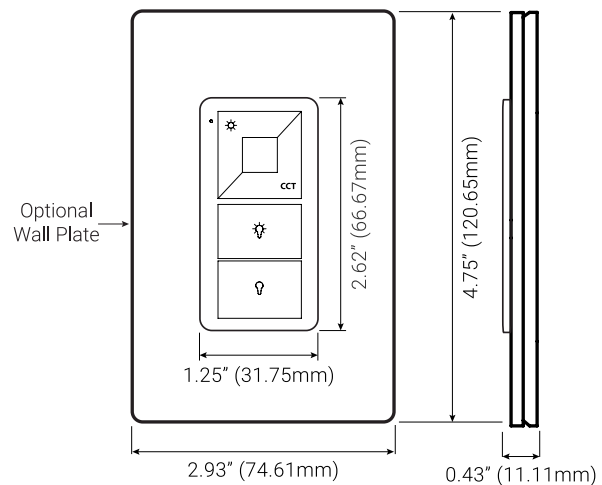
I Series Spec

Series	RFC
Input Voltage	3V DC
Device Color	White
Length	2.62" (66.67mm)
Width	1.25" (31.75mm)
Height	0.37" (9.52mm)
IP Rating	IP20
Dimming Range	1% – 100%
Battery Compartment	CR2032 (Included)
RF Wireless Control	Yes
Operation Frequency	434MHz / 868MHz
RF Range	Up to 50ft
Push Buttons	Yes
Operating Temperature	32°F (0°C) to 104°F (40°C)
Storage Temperature	-13°F (-25°C) to 122°F (50°C)

I Operation



I Dimensions



I Installation

