

FIXTURE TYPE \_\_\_\_\_

PROJECT NAME \_\_\_\_\_

LOCATION \_\_\_\_\_



# Pharos VLC

Large Scale eDMX Controller



Partnered with:



## I Description

Transform your building façades, bridges, and presentation walls into stunning visual displays with the Pharos VLC. You can effortlessly play locally stored HD media files or a DVI-D video input while enjoying its range of creative generative effects and powerful show control integration features.

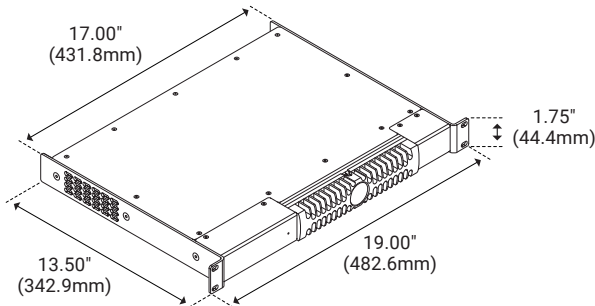
## I Features

- Remote Management with Pharos Cloud
- Individual Pixel Mapping
- Reliable
- Scalable

## I Series Spec

Series	DMXC
Input Voltage	120–240V AC/50–60HZ
Control Outputs	sACN, Art-Net, DMX512, eDMX
Triggering & Integration	Contact Closure, eDMX
Inputs	Ethernet, DMX512, Serial
Max Devices	40 Pharos Designer Controllers
Data Storage	Internal 128GB SSD
Length <sup>§</sup>	17.00" (431.8mm)
Width <sup>§</sup>	13.50" (342.9mm)
Height <sup>§</sup>	1.75" (44.4mm)
Rack Length <sup>§</sup>	19.00" (482.6mm)
IP Rating	IP40
Operating Temperature	32°F (0°C) to 122°F (50°C)
Storage Temperature	28°F (- 2°C) to 131°F (55°C)
Humidity	10–50% relative, non-condensing

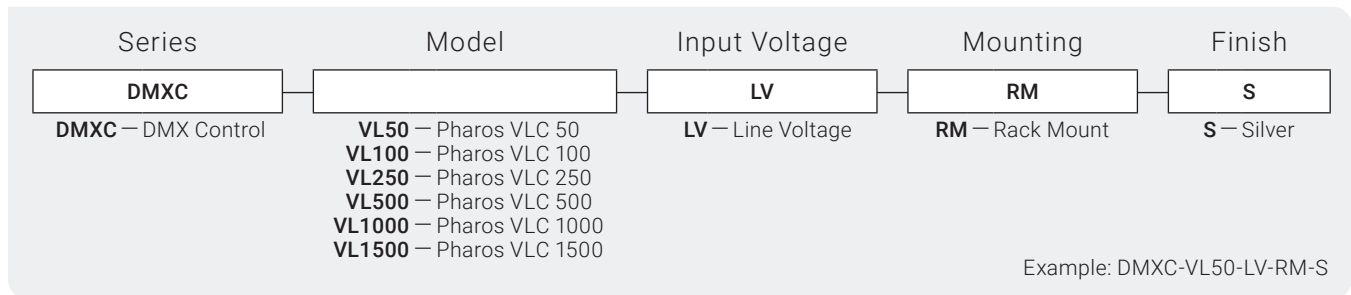
## I Dimensions



§ 1U Rack



## I Product Code Builder



## I Series Data

Model	Code	eDMX Output
Pharos VLC 50	VL50	50 Universe / 25,600 Channels
Pharos VLC 100	VL100	100 Universe / 51,200 Channels
Pharos VLC 250	VL250	250 Universe / 28,00 Channels
Pharos VLC 500	VL500	500 Universe / 256,000 Channels
Pharos VLC 1000	VL1000	1000 Universe / 512,000 Channels
Pharos VLC 1500	VL1500	1500 Universe / 768,000 Channels

## I Control Outputs

sACN	USITT E1.31 (with per fixture priority) standard
Art-Net	ArtNet, ArtNet II and ArtNet III (configurable broadcast override)
KiNET	KiNET V1 (DMX out) and V2 (Port out); PDS/Data Enabler discovery
Pathport	Pathway Connectivity protocol
DMX512	Via the EDN or any other eDMX node
Scalable	Synchronises with up to 40 Pharos Designer Controllers over network
Simultaneous	Multiple protocols can be in operation simultaneously. Limited by patched channels
EDN	Can natively integrate with and output DMX through the ports of the EDN
SPI	Supports synchronous and asynchronous serial data output via the EDN+SDI
Audio Out	Audio Output with two audio layers; a background layer and an alert layer



## I Control Triggering & Integration

Startup	Commences programmed playback automatically on receiving power
Inputs	Contact closure, active low, active high or 0-24V analog level via RIOs
Outputs	Isolated relay outputs (48V 250mA) via RIOs
Clock	Battery-backed real-time clock for calendar and time-based triggers
Astronomical	Sunrise/Sunset/Twilight and Lunar phases
Ethernet	UDP, TCP, Multicast; send/receive any Ethernet message
RS232 Serial	RS232, RS485; configurable port; send/receive free syntax in ASCII, HEX or decimal
MIDI	MIDI Notes, SysEx or Timecode
Timecode	Linear Timecode via Pharos RIO A (SMPTE, Film, EBU, NTSC)
Audio Level	Stereo 30-band spectrum analysis via Pharos RIO A
RS485 Serial	Trigger on changes within a range or entering a range
eDMX	sACN or Art-Net
DALI	Trigger on any message, via Pharos RIO D
Web Interface	Built-in or custom designed
Wall Stations	Integrate with Pharos BPS, TPS or TPC
Conditions	Full conditional logic support
Scripting	Lua scripting for total flexibility
Scalable	Supports Pharos Designer Remote Devices
IO Modules	Supports extensive Pharos IO Module library for easy integration

## I Interfaces

Ethernet	Neutrik etherCon (RJ45 compatible) for 10/100/1000Base-TX Ethernet with Link/Data LEDs; Static IP or DHCP
eDMX	Dedicated Ethernet port for eDMX; Neutrik etherCon (RJ45 compatible) for 10/100/1000Base-TX Ethernet with Link/Data LEDs; Static IP or DHCP
DVI-I Output	DVI-I output (for future development)
Serial	RS232 via DB9 connector
USB	Two USB 2.0 Type A ports (for future development)
Audio Outputs	Stereo analog & digital audio ports
DVI-D	Video input up to 1080p60 (with DVI-D IN option)