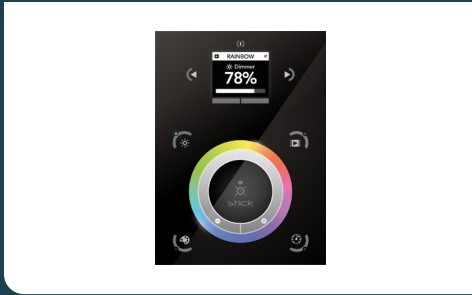


FIXTURE TYPE _____

PROJECT NAME _____

LOCATION _____



Nicolaudie Stick DE3

Glass Touch Panel
DMX512/eDMX Controller



NICOLAUDIE
ARCHITECTURAL



I Description

The DMXC Stick DE3 is designed to meet the demands of even the most complex projects while maintaining an intuitive and user-friendly interface. With easy programming capabilities from a PC, Mac, Android, iPad, or iPhone using the downloadable software, you can customize lighting levels, color schemes, and effects to suit your unique vision with unparalleled ease.

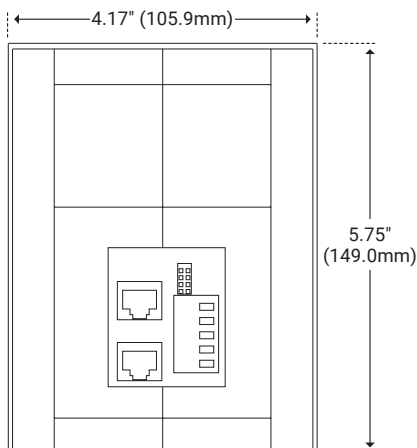
I Features

- Touch Interface
- Stand Alone
- Up to 10 Zone of DMX Control
- Touch Color/Dimmer/Speed Wheel

I Series Spec

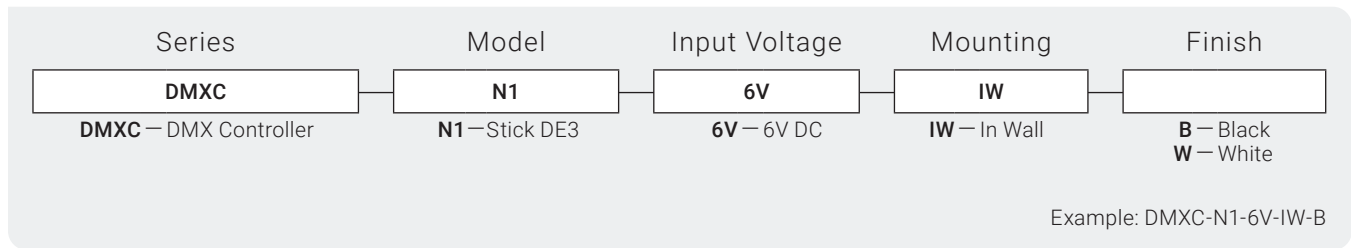
Series	DMXC
Input Voltage	5–15V DC
Control Outputs	DMX512
Control Inputs	Dry Contact, RS232, TCP
Data Storage	Removable MicroSD Card (supplied)
Length	4.17" (105.9mm)
Width	5.75" (149.0mm)
Height	0.43" (10.9mm)
Physical Build	Wall Mounted
IP Rating	IP20
Operating Temperature	14°F (-10°C) to 113°F (45°C)
Storage Temperature	14°F (-10°C) to 113°F (45°C)

I Dimensions





I Product Code Builder



I Interfaces

Glass Touch Panel	Touch Sensitive Buttons with Color Wheel and full color display
Arcolis Remote	iOS/Android App to program and control scenes
Infrared	Control using infrared controller (remote receiver not included)

I Capabilities

DMX512	Terminal Block (512 Channels only) or Ethernet Port 1 (1024 Channels total)
Live Control	Color / Dimmer / Speed
Port Triggers	8 Dry Contact Ports
Clock	100 Clock triggers
Astronomical	Sunrise/Sunset
Ethernet	Network and TCP Triggering
Serial Data	RS232