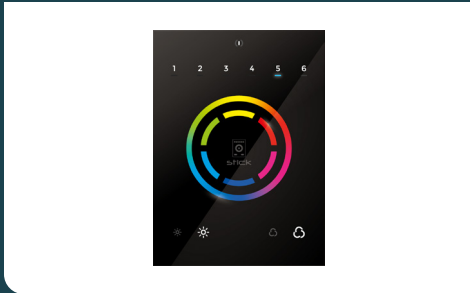


FIXTURE TYPE _____

PROJECT NAME _____

LOCATION _____



Nicolaudie Stick CW4

Glass Touch Panel
DMX512/eDMX Controller



NICOLAUDIE
ARCHITECTURAL



I Description

The Nicolaudie Stick CW4 is perfect for advanced architectural lighting installations. With 1024 DMX channels, Wi-Fi control, scene calendar triggers, and a clean user-friendly panel, this controller is ideal for hotels, homes, and public spaces. Store up to 36 scenes and easily recall them via 6 touch-sensitive buttons for a seamless and customized lighting experience.

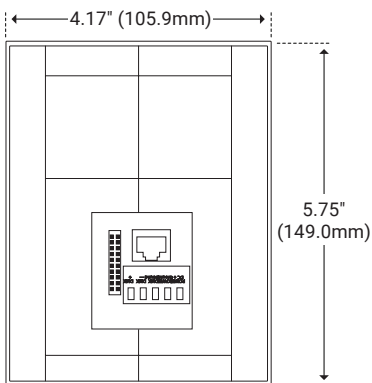
I Features

- Touch Interface
- Stand Alone
- 36 Dynamic/Standard Scenes
- Remote iOS/Android Programming and Control

I Series Spec

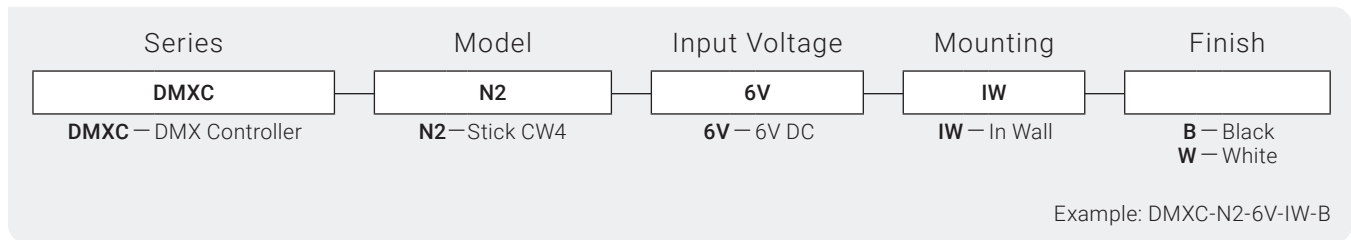
Series	DMXC
Input Voltage	5–15V DC
Control Outputs	DMX512
Control Inputs	Dry Contact
Data Storage	Built In Flash (36 Scenes)
Length	4.17" (105.9mm)
Width	5.75" (149.0mm)
Height	0.43" (10.9mm)
Physical Build	Wall Mounted
IP Rating	IP20
Temperature	14°F (-10°C) to 113°F (45°C)

I Dimensions





I Product Code Builder



I Interfaces

Glass Touch Panel	10+ Color Wheel
Arcolis Remote	iOS/Android App to program and control scenes
WiFi	Built in WiFi for Arcolis remote control

I Capabilities

DMX512	Terminal Block (512 Channels only) or Ethernet Port 1 (1024 Channels total)
Live Control	Color / Dimmer / Saturation
Port Triggers	8 Dry Contact Ports
Clock	100 Clock triggers
Calendar	Trigger on Specific Date
WiFi	Built in WiFi for Arcolis remote control and programming