



Complete Specification Sheet

Unicab™

FIGURE



Unicab™

Universal Undercabinet LED Fixture



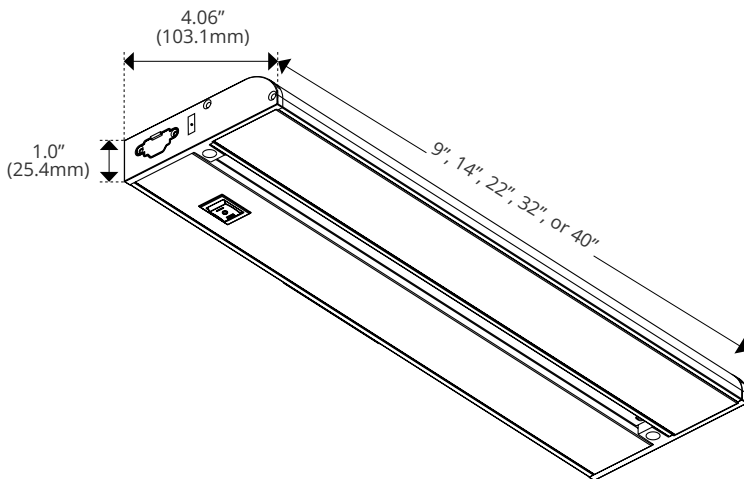
Specifications

Category	Fixture
Series	Unicab
Family	Static White
Environment	IP20
CRI	90+
CCT Options	3000K, 3500K, 4000K
Input Voltage	120 - 277V
Lengths	9", 14", 22", 32", 40" Lengths
Width	4.06in (103.1mm)
Height	1.0in (25.4mm)
Max Run Length	~80ft (500W Max Load on Single Run)
Operating Temp.	-4°F (-20°C) to 122°F (50°C)

Features

- 120/277V
- 0-10V Dimming
- Adjustable Kelvin (4000K, 3500K, and 3000K)
- Integrated High/Low/Off Switch
- Aluminum Housing
- Protections: Short Circuit / Over Current / Over Voltage / No load
- Soft Start Power Supply Feature
- 50,000 Hour Life
- Fixtures Connect in Series (Coupler Included)

Dimensions



Kelvix reserves the right to update the product specifications at any time. To maintain warranty, field modifications must follow approved Kelvix installation instruction.
 Conforms to ANSI/UL Standard 2108
 Certified to CAN/CSA Standard C22.2 No. 250.2

Fixture Type _____

Project Name _____

Location _____

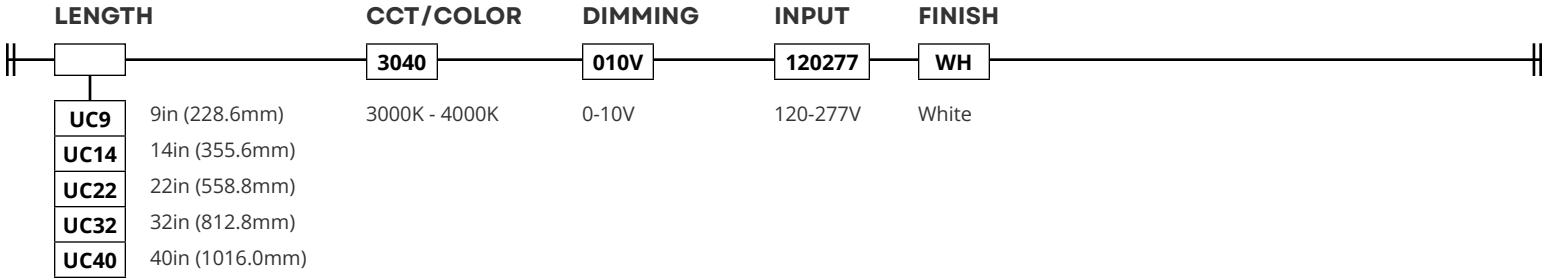


Product Code Builder

Unicab™

Product Code Builder

Example: UC9-3040-010V-120277-WH



PRODUCT DATA

Model	Fixture Length (in)	Wattage (W)	3000K Output (Lumens)	3500K Output (Lumens)	4000K Output (Lumens)
UC9	9	5W	351	412	394
UC14	14	8W	529	622	594
UC22	22	12W	867	1018	973
UC32	32	16W	1145	1344	1285
UC40	40	20W	1393	1635	1563

*Consult Kelvix for custom lengths

Kelvix reserves the right to update the product specifications at any time. To maintain warranty, field modifications must follow approved Kelvix installation instruction.

Conforms to ANSI/UL Standard 2108

Certified to CAN/CSA Standard C22.2 No. 250.2

Fixture Type _____

Project Name _____

Location _____



Accessory Details

Unicab™

Accessories

IMAGE

SPECIFICATIONS

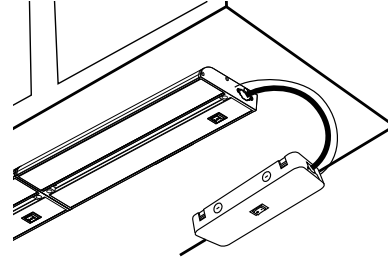
APPLICATION

Hardwire Box



Length	6in (152.4mm)
Width	2.75in (69.85mm)
Height	1.0in (25.4mm)

Although UniCab fixtures can hardwire directly without a hardwire box, this item can be used to separate the power feed location from the fixture. When using the hardwire box, please note that a jumper set is required (specify length—sold separately).

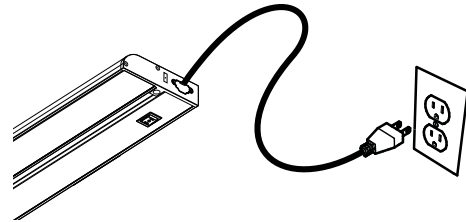


Plug-in Power Feed



Length	6in (152.4mm)
Width	2.75in (69.85mm)
Height	1.0in (25.4mm)

Use when power will be provided by a standard grounded plug (120V only).

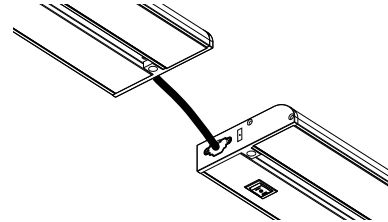


Jumper Sets

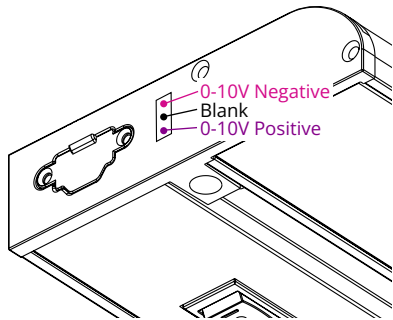


6-SET	6" Feed
24-SET	24" Feed
60-SET	60" Feed

Connects UniCab fixtures to hardwire box or allows for fixture separation when multiple fixtures are connected in a series. Jumper sets include cabling for 0-10V dimming.



0-10V Wiring



Kelvix reserves the right to update the product specifications at any time. To maintain warranty, field modifications must follow approved Kelvix installation instruction.
 Conforms to ANSI/UL Standard 2108
 Certified to CAN/CSA Standard C22.2 No. 250.2

Fixture Type _____

Project Name _____

Location _____