



Complete Specification Sheet

ULV192-SC

ULV192-SC

192 Watt
24 Volt,
Class 2 Power Supply



Specifications

Category	Power Supplies
Series	Universal (3 in 1)
Family	192W (2 x 96W)
Input Voltage	100-277V AC
Output Voltage	24 DC Constant Voltage
Max Wattage	96W
Operating Temp.	-35°F(-37°C) - 158°F (70°C)
Dimming Options	Triac, MLV, ELV, 0-10V, INC

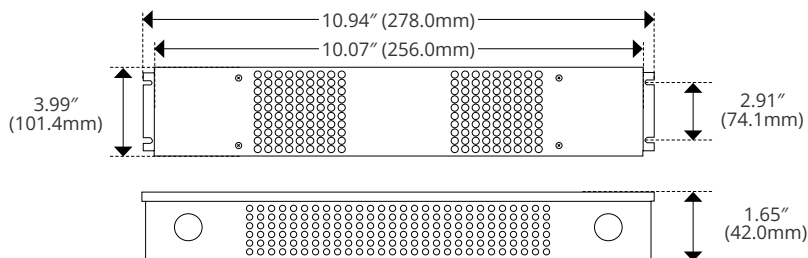
Features

- Flicker-free Dimming Down to $\leq 1\%$
- TRIAC, ELV, MLV, or 0-10V Dimming
- Protections: Short Circuit/Over Current/Over Voltage
- Free Air Convection Cooling
- Suitable for Dry/Damp Location
- UL-Listed Class 2

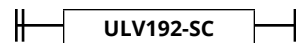
Description

The ULV192-SC is a 2 x 96W versatile constant voltage power supply designed for a broad range of indoor lighting applications. Featuring protective measures and a design for consistent performance, the ULV192-SC sets the standard for durability and adaptability. UL-listed as Class 2 and suitable for Dry and Damp locations, it delivers reliable illumination in various indoor settings.

Dimensions



Order Code



Kelvix reserves the right to update the product specifications at any time. Field modifications will void Kelvix warranty
 Conforms to UL8750. Certified to CAN/CSA Standard C22.2 NO. 250.13

Fixture Type _____

Project Name _____

Location _____



Product Details

ULV192-SC

SPECIFICATION

Spec	HLV192	
Input		
Input Voltage	100 - 277V AC	
Input Current		
Rated Input Voltage - Phase Cut Dimming		
Rated Input Voltage - No Phase Cut Dimming		
Input Frequency	47 - 63Hz, 50/60 Typical	
Input Current	120V AC @ 100% Load	
	230V AC @ 100% Load	
	277V AC @ 100% Load	
Inrush Current (Cold Start)	120V AC	19A
	230V AC	
	277V AC	
Leakage Current (60Hz)	120V AC	<0.5mA
	230V AC	
	277V AC	
General Characteristics		
Power Factor	120V AC	0.99 @ 30% - 100% Load
	230V AC	
	277V AC	
Total Harmonic Distortion	30% - 100% Load 120V AC	<20%
	50% - 100% Load 230V AC	
	60% - 100% Load 277V AC	
Efficiency - Steady State	120V AC	88%
	277V AC	
	347V AC	
Turn On Delay Time, Cold Start, No Dimmer		
Output		
Output Voltage	24V	
Output Current	2 x 4A	
Output Power	192W (2x 96W)	
Voltage Tolerance	±0.5V	
Line Regulation		
Ripple Voltage Full Load, Peak-to-Peak / Average		
Output Voltage Overshoot when Turning Power On		

Kelvix reserves the right to update the product specifications at any time. Field modifications will void Kelvix warranty
 Conforms to UL8750. Certified to CAN/CSA Standard C22.2 NO. 250.13

Fixture Type _____

Project Name _____

Location _____



Product Details

ULV192-SC

SPECIFICATION

Spec	HLV192
0-10V or Resistor Dimming	
Absolute Maximum Voltage on 0-10V Pin	
Source Current on 0-10V Dimming Pin	
DIM Voltage for Full Bright	
External Resistor Value at Full Bright	
Output Duty Cycle 0-10V	
PWM Dimming	
PWM Frequency	
High Level Voltage of PWM Signal	
Lower Level Voltage of PWM Signal	
Output Duty Cycle	
Phase Cut Dimming	
Input Voltage	
Dim Output Voltage	
Suggest Load Range (PWM)	
Triac Dimming	
Input Voltage	
Dim Output Voltage (PWM)	
Suggest Load Range for 120V AC	
Protection	
Over Loading	≤120% Hiccup mode, auto-recovery after fault condition is removed
Over Temperature Protection	212°F±18°F shut down o/p voltage, automatically recover after cooling
Short Circuit Protection	Auto-recovery after fault conditions are removed.
Environment	
Storage Temperature	-40°F (-40°C) - 176°F (80°C), 10% RH to 95% RH
Ambient Operating Temperature	40 - 140°F
Operating Relative Humidity	20 - 90% Non Condensing
Cooling	Convection cooling
Environment	Dry/Damp/Wet

Kelvix reserves the right to update the product specifications at any time. Field modifications will void Kelvix warranty
 Conforms to UL8750. Certified to CAN/CSA Standard C22.2 NO. 250.13

Fixture Type _____
 Project Name _____
 Location _____

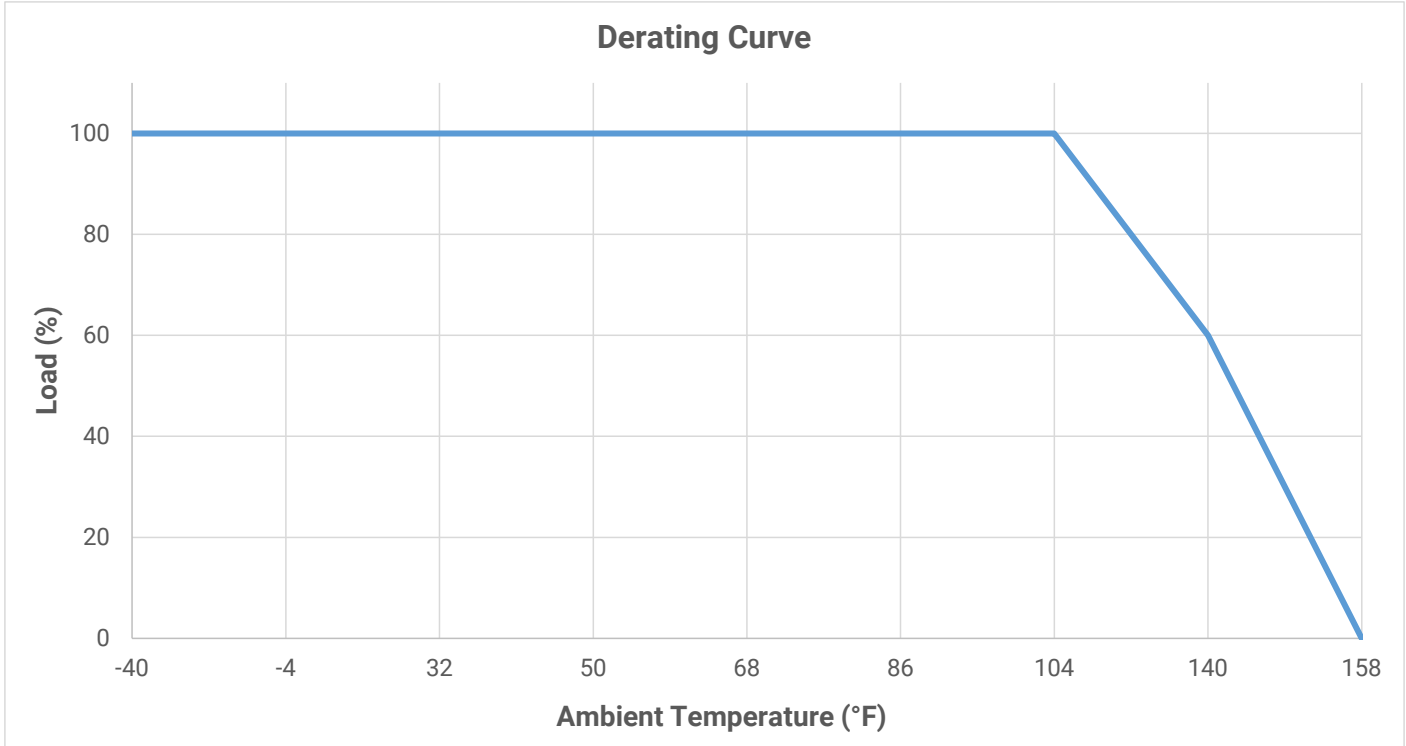


Dimming Chart

ULV192-SC

Charts

DERATING CURVE



Kelvix reserves the right to update the product specifications at any time. Field modifications will void Kelvix warranty
Conforms to UL8750. Certified to CAN/CSA Standard C22.2 NO. 250.13

Fixture Type _____

Project Name _____

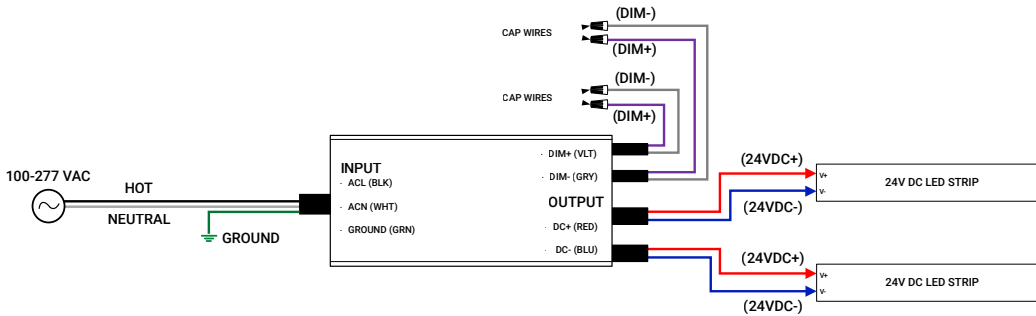
Location _____



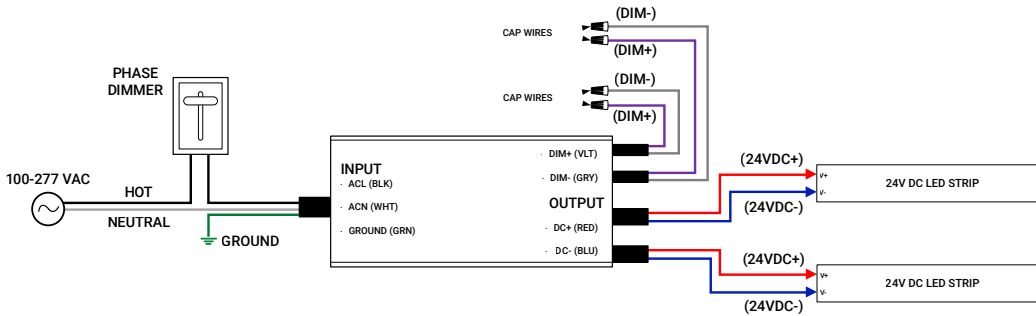
Wiring Diagram

ULV192, ULV192-SC, HLV192, HLV192-SC

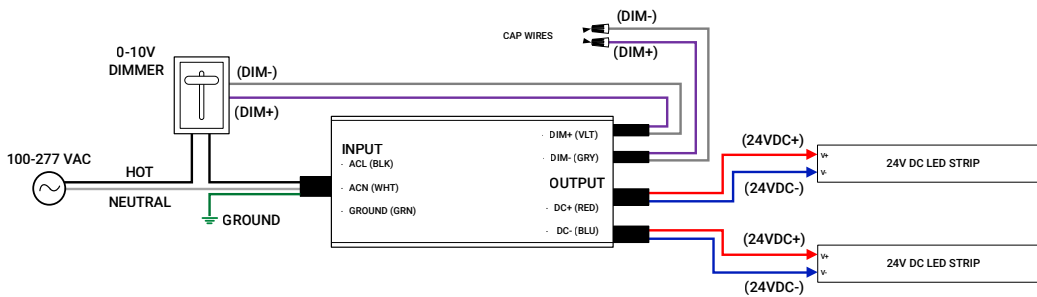
STANDARD APPLICATION (NO DIMMING)



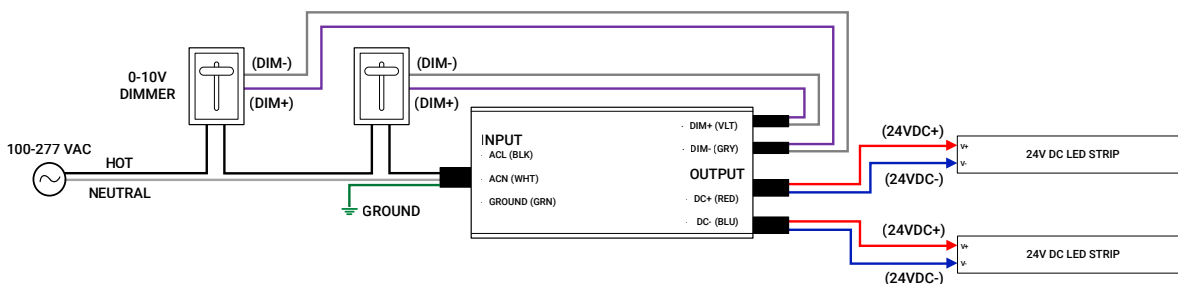
PRIMARY SIDE DIMMING (120V ONLY)



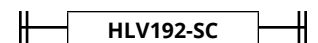
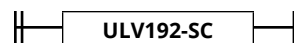
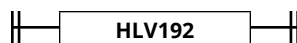
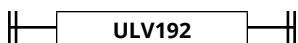
SECONDARY SIDE DIMMING; 1 CIRCUIT (0-10V)



SECONDARY SIDE DIMMING; 2 CIRCUIT (0-10V)



Compatible with:



Kelvix reserves the right to update the product specifications at any time. Field modifications will void Kelvix warranty
 Conforms to UL8750. Certified to CAN/CSA Standard C22.2 NO. 250.13

Fixture Type _____

Project Name _____

Location _____