



Complete Specification Sheet

RF/WiFi Receiver

RF/WiFi Receiver

WiFi Module



Specifications

Category	Controls and Dimmers
Series	RF WIFI
Family	Receiver
Environment	IP20
Input Voltage	12V DC
RF Range	Up to 50ft
Operation Frequency	868MHz
Length	4.93in (125.41mm)
Width	3.93" (100.01mm)
Height	1.00in (25.40mm)
Operating Temp.	-4°F (-20°C) to 122°F (50°C)

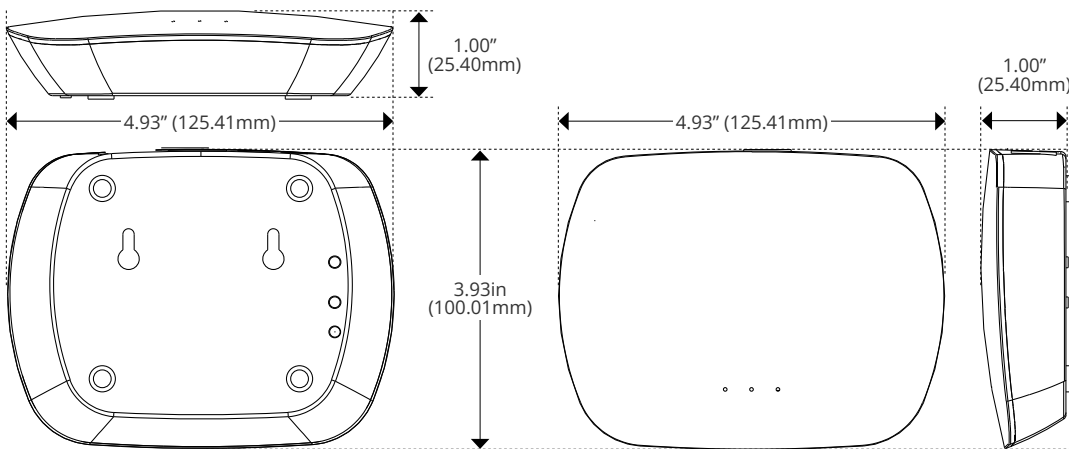
Features

- For Controlling RF Receivers via Mobile Device
- Can be Used with Multiple RF/Wi-Fi Controllers
- Compatible with RFC-A Series Receivers
- Compatible with iOS and Android Mobile Apps
- Connects Through a Router or Directly to WiFi Device

Order Code



Dimensions



Kelvix reserves the right to update the product specifications at any time. Field modifications will void Kelvix warranty

Fixture Type _____

Project Name _____

Location _____