



Complete Specification Sheet

RF 4 Channel Remote and Receiver Combo



RF 4 Channel Remote and Receiver Combo

1 Zone



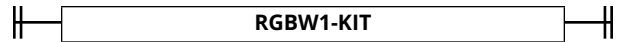
Specifications

Category	Controls and Dimmers
Series	RF
Family	4CH
Environment	IP20
Receiver Input Voltage	12 - 24V DC
Receiver Output Voltage	4 x 6A
Remote Batteries	2 x 1.5V AAA Batteries
Frequency	2.4GHz
Dimming Range	0% - 100%
RF Range	Up to 50ft
Operating Temp.	-4°F (-20°C) to 122°F (50°C)

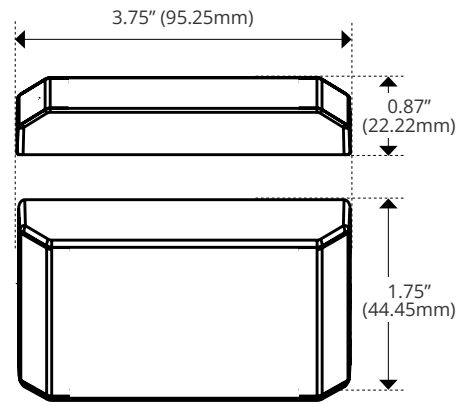
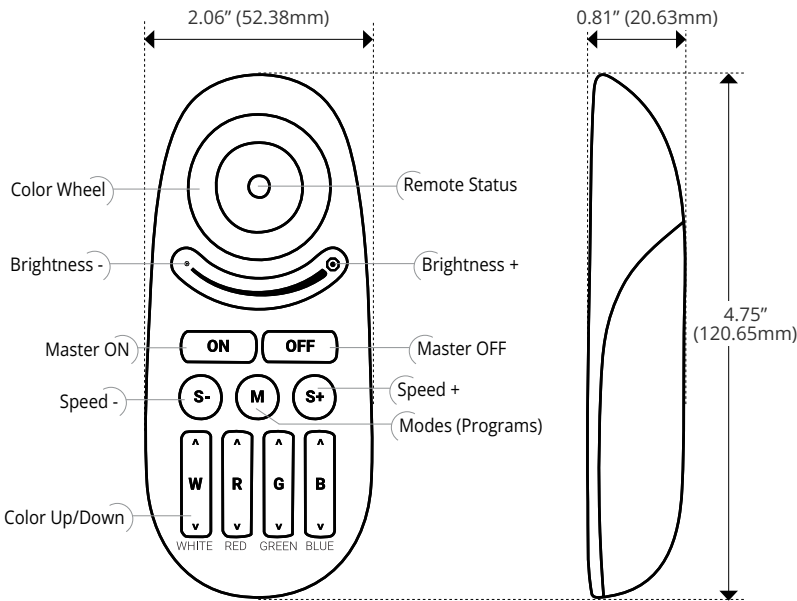
Features

- 4-Channel RGBW Receiver for Controlling One Zone
- Individual Control of White, Red, Green, & Blue Channels
- Multiple Receivers Can Be Controlled by One Remote
- Multiple Remotes Can Be Used Simultaneously
- Nine Preset Color-Changing Modes

Order Code



Dimensions and Operation



Kelvix reserves the right to update the product specifications at any time. Field modifications will void Kelvix warranty

Fixture Type _____

Project Name _____

Location _____