



Complete Specification Sheet

RF 4 Channel 3 Scene In-Wall Controller



RF 4 Channel 3 Scene In-Wall Controller

3 Scene
In-Wall Remote Control



Specifications

Category	Controls and Dimmers
Series	RF
Family	4CH
Environment	IP20
Input Voltage	12 - 24V DC
Wireless Control	RF
RF Range	Up to 50ft
Operation Frequency	434MHz / 868MHz
Length	2.93in (74.61mm)
Width	1.12in (28.57mm)
Height	4.75in (120.65mm)
Operating Temp.	32°F (0°C) to 104°F (40°C)

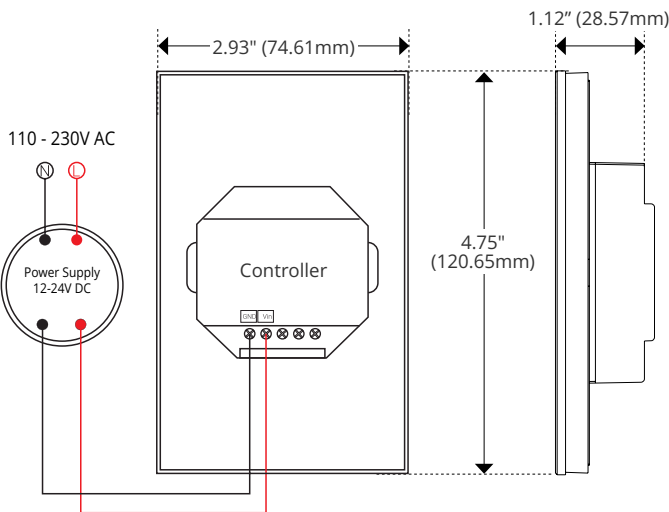
Features

- Controls One Zone and Saves up to Three Scenes
- Compatible With a Standard 1-Gang Electrical Box
- Compatible With RFR-A Series Receivers
- Individual Control of White, Red, Green, & Blue Channels
- Can Controller Multiple RF Receivers
- Sensitive Glass Touch Panel
- Ten Preset Modes

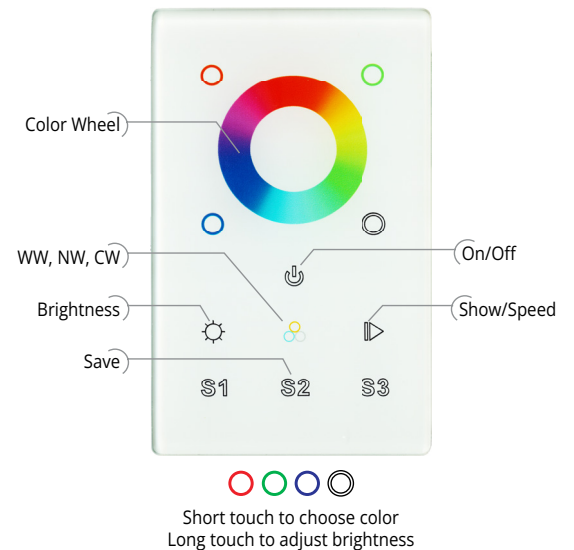
Order Code



Dimensions and Wiring Diagram



Operation



Kelvix reserves the right to update the product specifications at any time. Field modifications will void Kelvix warranty

Fixture Type _____

Project Name _____

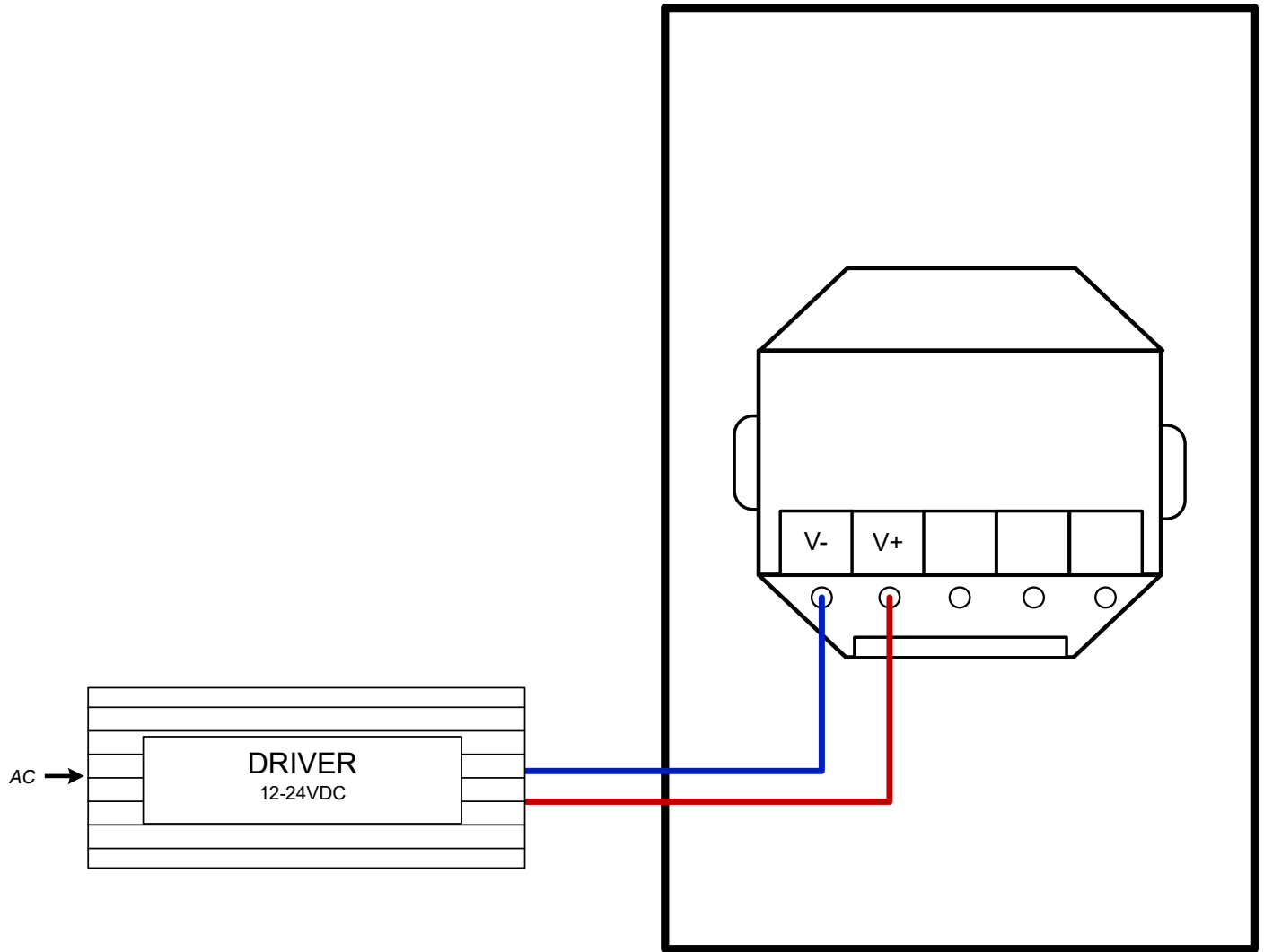
Location _____



Wiring Details

RF 4 Channel 3 Scene In-Wall Controller

Wiring Diagrams



Kelvix reserves the right to update the product specifications at any time. Field modifications will void Kelvix warranty

Fixture Type _____

Project Name _____

Location _____