



# Complete Specification Sheet

## RF 2-CH 1-Zone Tabletop Knob Controller



# RF 2 Channel 1 Zone Tabletop Knob Controller

1 Zone  
Tabletop Remote Control



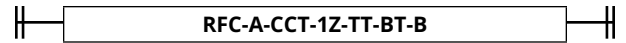
### Specifications

Category	Controls and Dimmers
Series	RF
Family	2CH
Environment	IP20
Input Voltage	3V DC
Battery Compartment	CR2025 (Included)
RF Range	Up to 50ft
Dimming Range	1% - 100%
Operation Frequency	434MHz / 868MHz
Length	2.5in (63.5mm)
Width	2.75in (69.85mm)
Height	3.87in (98.42mm)
Operating Temp.	32°F (0°C) to 104°F (40°C)

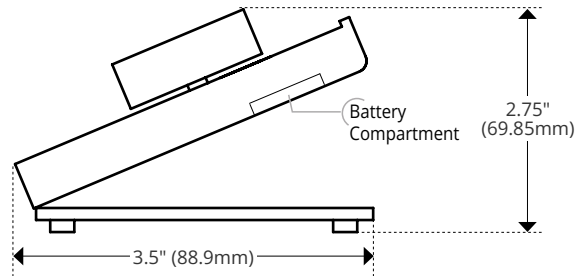
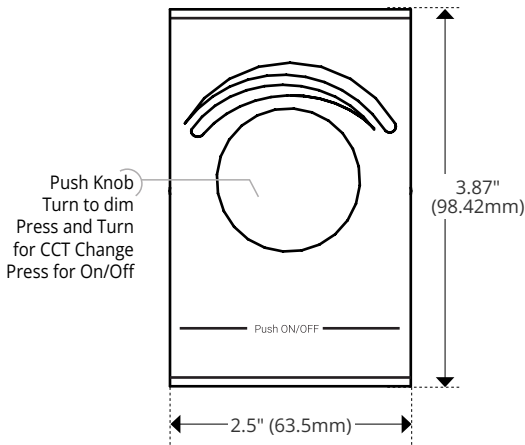
### Features

- Dimming via Rotary Knob
- On/Off Push-Knob
- Compatible With RFR-A Series Receivers
- Can Control Multiple RF Receivers
- Battery Operated (Included)

### Order Code



### Dimensions and Operation



Kelvix reserves the right to update the product specifications at any time. Field modifications will void Kelvix warranty

Fixture Type \_\_\_\_\_

Project Name \_\_\_\_\_

Location \_\_\_\_\_