



Complete Specification Sheet

RF 2-CH 1-Zone In-Wall Knob Controller



RF 2 Channel 1 Zone In-Wall Knob Controller

1 Zone
In-Wall Remote Control



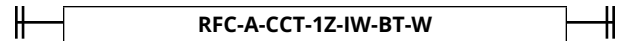
Specifications

Category	Controls and Dimmers
Series	RF
Family	2CH
Environment	IP20
Input Voltage	3V DC
Battery Compartment	CR2032 (Included)
RF Range	Up to 50ft
Dimming Range	1% - 100%
Operation Frequency	434MHz / 868MHz
Length	2.93in (74.61mm)
Width	0.43in (11.11mm)
Height	4.75in (120.65mm)
Operating Temp.	32°F (0°C) to 104°F (40°C)

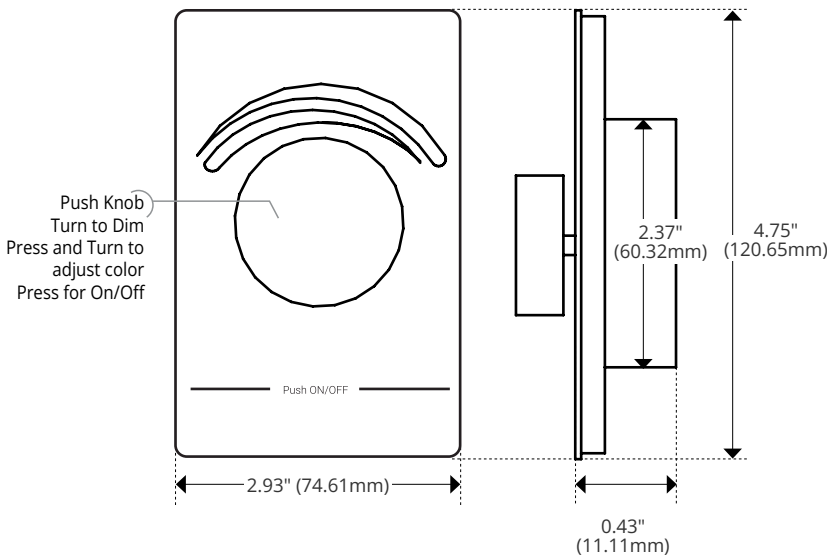
Features

- Dimming and Color Tuning via Push Button Controls
- Removable, Magnet-Mount Controller
- Compatible With 1-Gang Electrical Box
- Compatible With RFR-A Series Receivers
- Can Control Multiple RF Receivers
- Battery Operated (Included)

Order Code



Dimensions and Operation



Kelvix reserves the right to update the product specifications at any time. Field modifications will void Kelvix warranty

Fixture Type _____

Project Name _____

Location _____