



Complete Specification Sheet

Single Channel RF Receiver

Single Channel RF Receiver

1 Channel



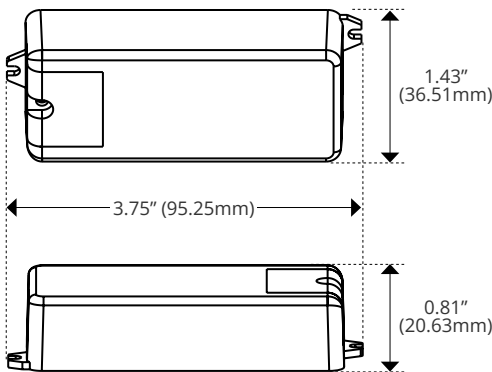
Specifications

Category	Controls and Dimmers
Series	RF
Family	1CH
Environment	IP20
Input Voltage	12 - 24V DC
Output Voltage	1 x 8A
Dimming Range	0% - 100%
RF Range	Up to 50ft
Length	3.75in (95.25mm)
Width	1.43in (36.51mm)
Height	0.81in (20.63mm)
Operating Temp.	-4°F (-20°C) to 122°F (50°C)

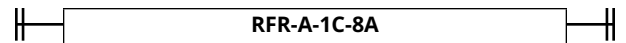
Features

- Single-Color RF Receiver
- Compatible With Multiple RF Controllers
- Compatible with RFC-A series controllers
- On-Board Learning Key for Zone Assignment
- Compatible With RFC-A-WIFI for Mobile App Control

Dimensions



Order Code



Kelvix reserves the right to update the product specifications at any time. Field modifications will void Kelvix warranty

Fixture Type _____

Project Name _____

Location _____



Wiring Details

Single Channel RF Receiver

Wiring Diagrams

