



Complete Specification Sheet

RF 1 Channel 1 Zone Tabletop Controller

RF 1 Channel 1 Zone Tabletop Controller

1 Zone
Tabletop Remote Control



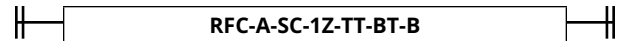
Specifications

Category	Controls and Dimmers
Series	RF
Family	1CH
Environment	IP20
Input Voltage	3V DC
Battery Compartment	CR2025 (Included)
RF Range	Up to 50ft
Dimming Range	1% - 100%
Operation Frequency	434MHz / 868MHz
Length	2.5in (63.5mm)
Width	2.75in (69.85mm)
Height	3.87in (98.42mm)
Operating Temp.	32°F (0°C) to 104°F (40°C)

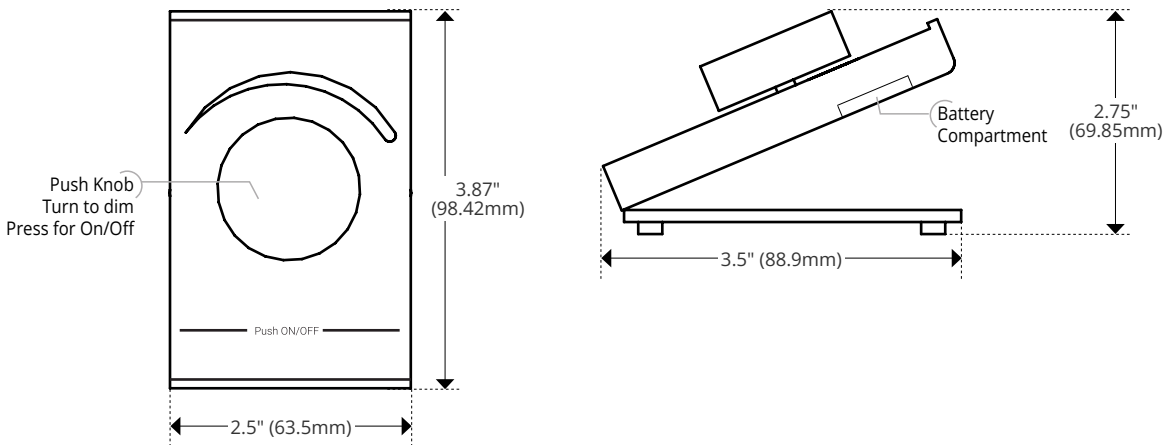
Features

- Dimming via Rotary Knob
- On/Off Push-Knob
- Compatible With RFR-A Series Receivers
- Can Control Multiple RF Receivers
- Battery Operated (Included)

Order Code



Dimensions and Operation



Kelvix reserves the right to update the product specifications at any time. Field modifications will void Kelvix warranty

Fixture Type _____

Project Name _____

Location _____