



Complete Specification Sheet

RF 1 Channel 1 Zone Handheld Controller

RF 1 Channel 1 Zone Handheld Controller

1 Zone
Single Color
Handheld Remote Control



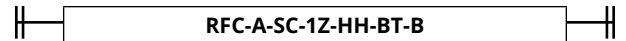
Specifications

Category	Controls and Dimmers
Series	RF
Family	1CH
Environment	IP20
Input Voltage	4.5V DC
Battery Compartment	3 x 1.5V AAA Batteries
RF Range	Up to 50ft
Dimming Range	1% - 100%
Operation Frequency	434MHz / 868MHz / 915Mhz
Length	1.5in (38.10mm)
Width	0.62in (15.87mm)
Height	0.68in (17.46mm)
Operating Temp.	32°F (0°C) to 104°F (40°C)

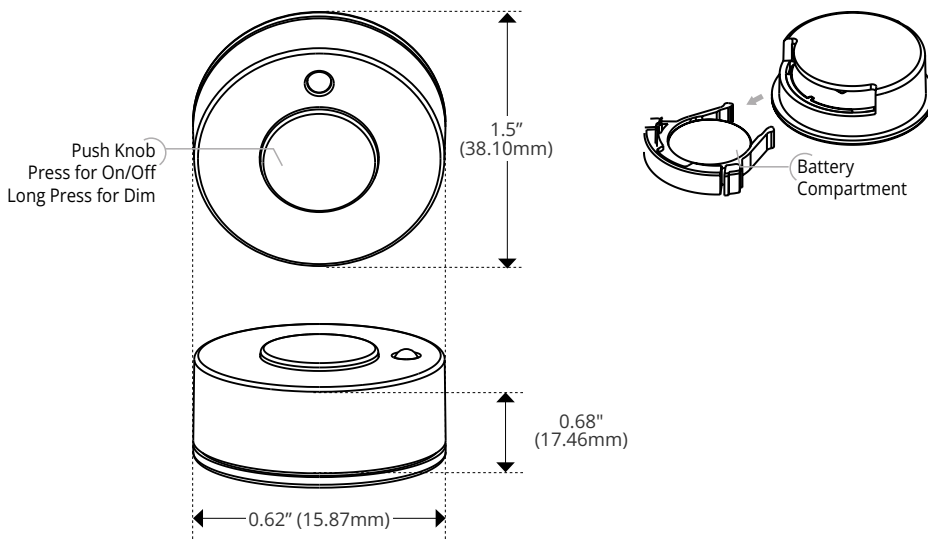
Features

- Controls One Zone Separately or Synchronously
- Saves up to Three Scenes per Zone
- Compatible With RFR-A Series Receivers
- Can Control Multiple RF Receivers
- Remembers Last Brightness Setting

Order Code



Dimensions and Operation



Kelvix reserves the right to update the product specifications at any time. Field modifications will void Kelvix warranty

Fixture Type _____

Project Name _____

Location _____