



Complete Specification Sheet

Pharos Express Touch

Pharos Express Touch

Full Color Touch Screen



Specifications

Category	Partner Products
Series	Pharos
Family	Express Touch
Environment	IP40
Input Voltage	PoE (IEEE802.3af, Class 0), 7W Typical
Length	5.51 in (139.9mm)
Width	3.81 in (96.7mm)
Height	1.11 in (28.2mm)
Physical	Wall Mounted
Operating Temp.	32°F (0°C) to 122°F (50°C)
Data Storage	Micro SD Card (Included)
Input	Ethernet
Output	Dependant on Connected Controller
Required Devices	Requires Pharos Express Control
Programming Software	Pharos Express

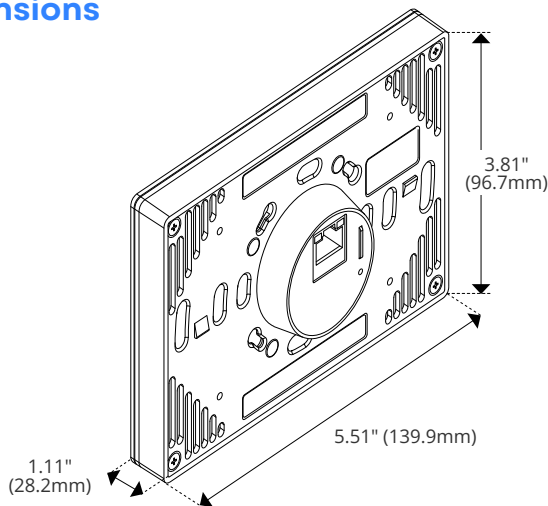
Features

- Touch Interface
- Customizable
- Easy Install

Description

Elegant wall station with seamless, uninterrupted glass front plate. This touchscreen receives automatically generated pages via Express Control based on programming in the Express Software. Easily control your lighting by activating scenes and adjusting intensity for each Space. Included is a Universal Mounting Plate which is compatible with

Dimensions



Kelvix reserves the right to update the product specifications at any time. Field modifications will void Kelvix warranty

Fixture Type _____

Project Name _____

Location _____

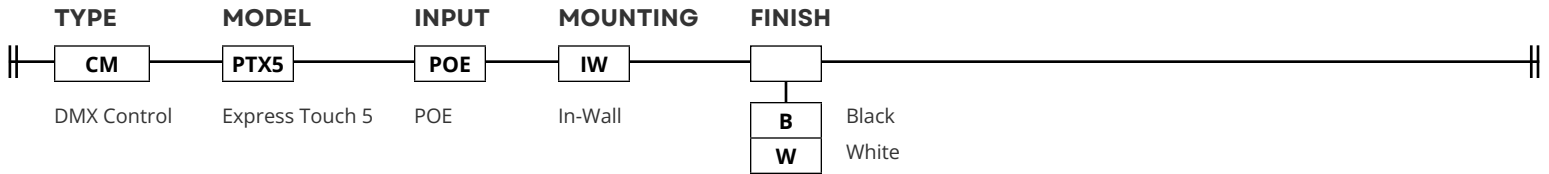


Product Code Builder

Pharos Express Touch

Product Code Builder

Example: DMXC-PTX5-POE-IW-B



Product Data

Capabilities	
Orientation	Landscape and portrait
Layouts	Automatically generated page layouts to suite each project's settings from specific project Spaces
Themes	Multiple themes to choose from for automatically generated pages, controls, and navigation
Skins	Within each theme there are different skins to choose from to fine tune appearance
Secure Access	Keypad option for PIN-code entry with automatic lock
Commissioning	Interface provided from linked Express Control, commission with Pharos Express
Project Management	Optionally enable interface elements to manage project tags
Interfaces	
Ethernet	Static IP or DHCP
Touchscreen	5" Capacitive touch; 800x480 24bpp; 650 cd/m2
Protections and Certifications	
Humidity	10-90% Relative, Non-Condensing
Recovery	Hardware Watchdog and Recessed Rest Button
Certifications	CE compliant, UKCA compliant, UL/cUL listed, may be used as part of a California Title 24 compliant lighting control system.

Kelvix reserves the right to update the product specifications at any time. Field modifications will void Kelvix warranty

Fixture Type _____

Project Name _____

Location _____