



Complete Specification Sheet

Pharos Express Control

Pharos Express Control

DMX 512 / eDMX and Dali Controller



Specifications

Category	Partner Products
Series	Pharos
Family	Express Control
Environment	IP40
Input Voltage	9 - 48V DC, PoE (4W Typical)
Length	4.23in (107.5mm)
Width	3.54in (90mm)
Height	1.57in (40mm)
Physical	6 Unit Wide Din Rail Mount
Operating Temp.	32°F (0°C) to 122°F (50°C)
Data Storage	Micro SD Card Included
Input	DMX, DALI, Ethernet, Contact Closure
Output	DMX, DALI*, eDMX
Programming Software	Pharos Express

*External BUS Power Supply required when using for DALI control

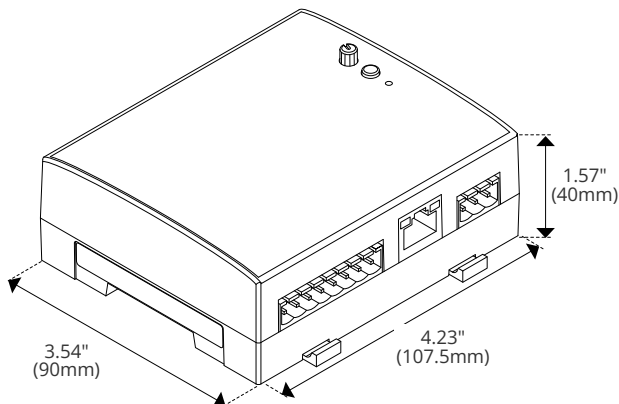
Features

- Remote Management with Pharos Cloud
- Flexible Outputs
- Custom User Interfaces
- Optional Mobile App Interfaces

Description

Pharos Express Control is a set-and-forget DMX and Dali controller that is easy to specify and install. The free Express App Interface is available for user control on any smart device over local Wi-Fi.

Dimensions



Kelvix reserves the right to update the product specifications at any time. Field modifications will void Kelvix warranty

Fixture Type _____

Project Name _____

Location _____

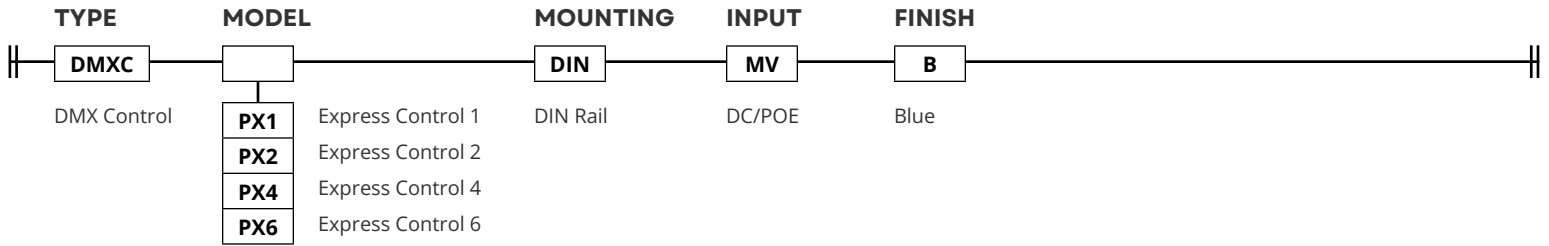


Product Code Builder

Pharos Express Control

Product Code Builder

Example: DMXC-PX1-DIN-MV-B



Product Data

Model	Output
PX1	512 Channels, 2 Local DMX Ports, eDMX, DALI, IO
PX2	1024 Channels, 2 Local DMX Ports, eDMX, DALI, IO
PX4	2048 Channels, 2 Local DMX Ports, eDMX, DALI, IO
PX6	3072 Channels, 2 Local DMX Ports, eDMX, DALI, IO

Kelvix reserves the right to update the product specifications at any time. Field modifications will void Kelvix warranty

Fixture Type _____

Project Name _____

Location _____



Product Details

Pharos Express Control

Product Data

Output	
sACN	ANSI E1.31 Standard
Art-Net	Art-Net I, Art-Net II and Art-Net 3
KiNET	KiNET V1, V2, V3; PDS/Data Enabler discovery
DMX512	2 ports (max 512 channels each) ANSI E1.11-2008
DALI	Support for single channel, Tc and XY
Simultaneous	Multiple protocols can be in operation simultaneously. Limited by patched channels, not universes used
RDM	Supports discovery and addressing via Express software
Interfaces	
Ethernet	RJ45 socket for 10/100Base-TX Ethernet with Link/Data LEDs; Static IP or DHCP; Dual IP address for eDMX
DMX512	Two individually isolated DMX ports, RDM compatible. ¹
DALI	Transmit and receive DALI commands * Supports DALI standards: EN 62386-101:2009, EN 62386-102:2009, EN 62386-202:2009, EN 62386-209:2011 A separate DALI bus power supply is required
HTTP API	Full control over most aspects of the controller's project from any device that can send HTTP requests
Simple Ethernet API	UDP API to send simple commands and queries to Express Control
Inputs	Two inputs, individually selectable operating mode for contact closure, digital or analog input ¹
Relay Outs	Two individually isolated (1KV) relay outputs (48V 250mA)
Rotary Dial	A rotatory dial for switching to customisable preprogrammed states or test setups
Push Button	For test mode intensity
Express Touch	Stylish auto-generated touchscreen interfaces available via free mobile app over local Wi-Fi (access point required) and, via Touch 5 and Touch 8, elegant installation-friendly PoE wall stations
Protections and Certifications	
Humidity	10-90% Relative, Non-Condensing
Recovery	Hardware Watchdog and Recessed Rest Button
Certifications	CE compliant, UKCA compliant, UL/cUL listed, may be used as part of a California Title 24 compliant lighting control system.

¹Install-friendly 0.200" (5.08mm) plug in rising clamp connectors (included)

Kelvix reserves the right to update the product specifications at any time. Field modifications will void Kelvix warranty

Fixture Type _____

Project Name _____

Location _____