



# Complete Specification Sheet

## Pharos VLC

# Pharos VLC

Large Scale eDMX Controller



### Specifications

<b>Category</b>	Partner Products
<b>Series</b>	Pharos
<b>Family</b>	VLC
<b>Environment</b>	IP40
<b>Input Voltage</b>	120-240V AC/50-60HZ
<b>Length</b>	17.00in (431.8mm)
<b>Width</b>	13.50in (342.9mm)
<b>Height</b>	1.75in (44.4mm)
<b>Rack Length</b>	19.00in (482.6mm) (1U Rack)
<b>Physical</b>	Rack Mounted
<b>Operating Temp.</b>	32°F (0°C) to 122°F (50°C)
<b>Data Storage</b>	Internal 128GB SSD
<b>Max Devices</b>	40 Pharos Designer Controllers
<b>Dimming Input</b>	Ethernet, DMX512, Serial
<b>Dimming Output</b>	sACN, Art-Net, DMX512, eDMX

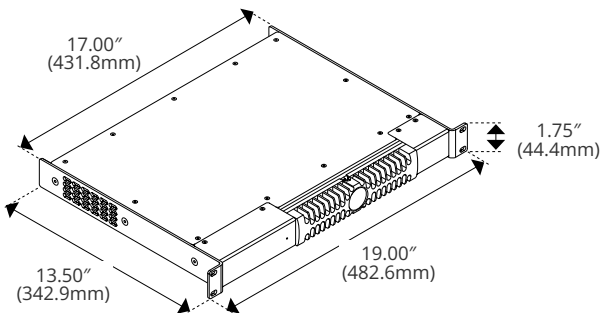
### Features

- Remote Management with Pharos Cloud
- Scalable
- Individual Pixel Mapping
- Reliable

### Description

Transform your building façades, bridges, and presentation walls into stunning visual displays with the Pharos VLC. You can effortlessly play locally stored HD media files or a DVI-D video input while enjoying its range of creative generative effects and powerful show control integration features.

### Dimensions



Kelvix reserves the right to update the product specifications at any time. Field modifications will void Kelvix warranty

Fixture Type \_\_\_\_\_

Project Name \_\_\_\_\_

Location \_\_\_\_\_

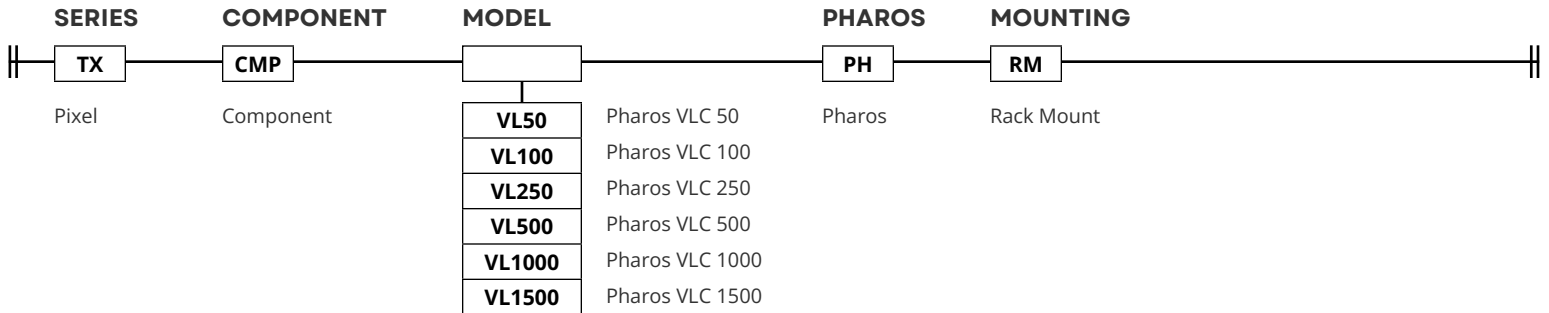


# Product Code Builder

## Pharos VLC

### Product Code Builder

Example: TX-CMP-VL50-PH-RM



### Product Data

Model	eDMX Output
VL50	50 Universe / 25,600 Channels
VL100	100 Universe / 51,200 Channels
VL250	250 Universe / 102,400 Channels
VL500	500 Universe / 256,000 Channels
VL1000	1000 Universe / 512,000 Channels
VL1500	1500 Universe / 768,000 Channels

Kelvix reserves the right to update the product specifications at any time. Field modifications will void Kelvix warranty

Fixture Type \_\_\_\_\_

Project Name \_\_\_\_\_

Location \_\_\_\_\_



# Product Data

## Pharos VLC

### Product Data

<b>Output</b>	
<b>sACN</b>	USITT E1.31 (with per fixture priority) standard
<b>Art-Net</b>	ArtNet, ArtNet II and ArtNet III (configurable broadcast override)
<b>KiNET</b>	KiNET V1 (DMX out) and V2 (Port out); PDS/Data Enabler discovery
<b>Pathport</b>	Pathway Connectivity protocol
<b>DMX512</b>	Via the EDN or any other eDMX node
<b>Scalable</b>	Synchronises with up to 40 Pharos Designer Controllers over network
<b>Simultaneous</b>	Multiple protocols can be in operation simultaneously. Limited by patched channels
<b>EDN</b>	Can natively integrate with and output DMX through the ports of the EDN
<b>SPI</b>	Supports synchronous and asynchronous serial data output via the EDN+SDI
<b>Audio Out</b>	Audio Output with two audio layers; a background layer and an alert layer
<b>Control Triggering and Integration</b>	
<b>Startup</b>	Commences programmed playback automatically on receiving power
<b>Inputs</b>	Contact closure, active low, active high or 0-24V analog level via RIOs
<b>Outputs</b>	Isolated relay outputs (48V 250mA) via RIOs
<b>Clock</b>	Battery-backed real-time clock for calendar and time-based triggers
<b>Astronomical</b>	Sunrise/Sunset/Twilight and Lunar phases
<b>Ethernet</b>	UDP, TCP, Multicast; send/receive any Ethernet message
<b>RS232 Serial</b>	RS232, RS485; configurable port; send/receive free syntax in ASCII, HEX or decimal
<b>MIDI</b>	MIDI Notes, SysEx or Timecode
<b>Timecode</b>	Linear Timecode via Pharos RIO A (SMPTE, Film, EBU, NTSC)
<b>Audio Level</b>	Stereo 30-band spectrum analysis via Pharos RIO A
<b>RS485 Serial</b>	Trigger on changes within a range or entering a range
<b>eDMX</b>	sACN or Art-Net
<b>DALI</b>	Trigger on any message, via Pharos RIO D
<b>Web Interface</b>	Built-in or custom designed
<b>Wall Stations</b>	Integrate with Pharos BPS or TPS
<b>Conditions</b>	Full conditional logic support
<b>Scripting</b>	Lua scripting for total flexibility
<b>Scalable</b>	Supports Pharos Designer Remote Devices
<b>IO Modules</b>	Supports extensive Pharos IO Module library for easy integration
<b>Interfaces</b>	
<b>Ethernet</b>	Neutrik etherCon (RJ45 compatible) for 10/100/1000Base-TX Ethernet with Link/Data LEDs; Static IP or DHCP
<b>eDMX</b>	Dedicated Ethernet port for eDMX; Neutrik etherCon (RJ45 compatible) for 10/100/1000Base-TX Ethernet with Link/Data LEDs; Static IP or DHCP
<b>DVI-I Output</b>	DVI-I output (for future development)
<b>Serial</b>	RS232 via DB9 connector
<b>USB</b>	Two USB 2.0 Type A ports (for future development)
<b>Audio Outputs</b>	Stereo analog & digital audio ports
<b>DVI-D</b>	Video input up to 1080p60 (with DVI-D IN option)

Kelvix reserves the right to update the product specifications at any time. Field modifications will void Kelvix warranty

Fixture Type \_\_\_\_\_

Project Name \_\_\_\_\_

Location \_\_\_\_\_