



Complete Specification Sheet

Pharos VLC +

Pharos VLC +

Large Scale eDMX Controller



Specifications

Category	Partner Products
Series	Pharos
Family	VLC+
Environment	IP40
Input Voltage	120-240V AC/50-60HZ
Length	17.00in (431.8mm)
Width	16.00in (406.4mm)
Height	3.50in (88.9mm)
Rack Length	19.00in (482.6mm) (2U Rack)
Physical	Rack Mounted
Operating Temp.	32°F (0°C) to 122°F (50°C)
Data Storage	Internal 512GB SSD
Max Devices	40 Pharos Designer Controllers
Dimming Input	Ethernet, DMX512, Serial
Dimming Output	sACN, Art-Net, DMX512

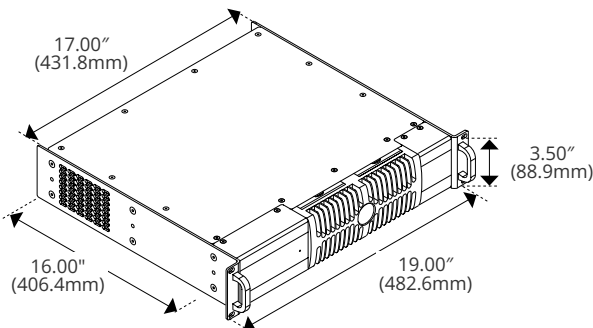
Features

- Remote Management with Pharos Cloud
- Scalable
- Individual Pixel Mapping
- Reliable

Description

The Pharos VLC+ is an extremely powerful solution for controlling the world's largest lighting façade projects with ease. Effortlessly manage multiple effect layers and output up to 3,000 universes of eDMX and DVI-D with this all-in-one, versatile solution.

Dimensions



Kelvix reserves the right to update the product specifications at any time. Field modifications will void Kelvix warranty

Fixture Type _____

Project Name _____

Location _____

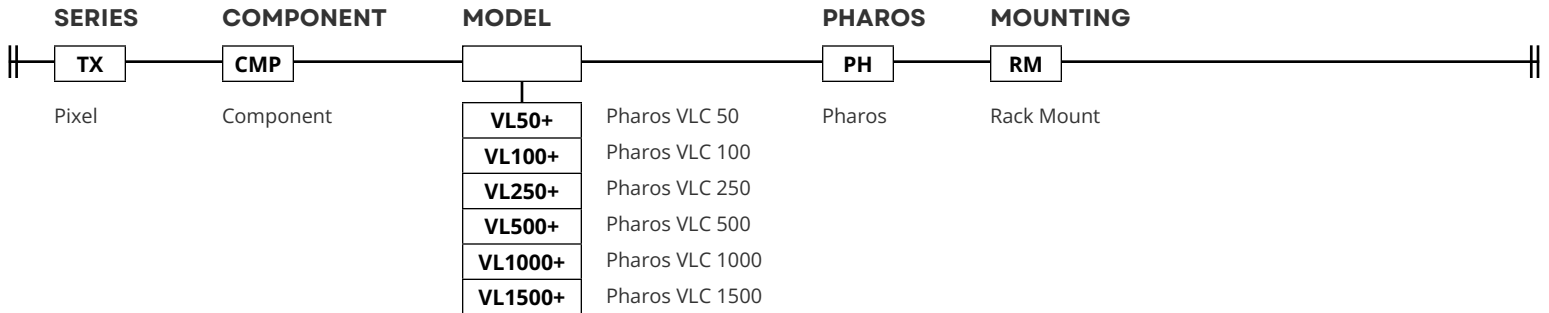


Product Code Builder

Pharos VLC +

Product Code Builder

Example: TX-CMP-VL50+-PH-RM



Product Data

Model	eDMX Output
VL50	50 Universe / 25,600 Channels
VL100	100 Universe / 51,200 Channels
VL250	250 Universe / 102,400 Channels
VL500	500 Universe / 256,000 Channels
VL1000	1000 Universe / 512,000 Channels
VL1500	1500 Universe / 768,000 Channels
VL3000	3000 Universe / 1,536,000 Channels

Kelvix reserves the right to update the product specifications at any time. Field modifications will void Kelvix warranty

Fixture Type _____

Project Name _____

Location _____



Product Data

Pharos VLC +

Product Data

Output	
sACN	USITT E1.31 (with per fixture priority) standard
Art-Net	ArtNet, ArtNet II and ArtNet III (configurable broadcast override)
KiNET	KiNET V1 (DMX out) and V2 (Port out); PDS/Data Enabler discovery
Pathport	Pathway Connectivity protocol
DMX512	Via the EDN or any other eDMX node
Scalable	Synchronises with up to 40 Pharos Designer Controllers over network
Simultaneous	Multiple protocols can be in operation simultaneously. Limited by patched channels
EDN	Can natively integrate with and output DMX through the ports of the EDN
SPI	Supports synchronous and asynchronous serial data output via the EDN+SDI
Audio Out	Audio Output with two audio layers; a background layer and an alert layer
Control Triggering and Integration	
Startup	Commences programmed playback automatically on receiving power
Inputs	Contact closure, active low, active high or 0-24V analog level via RIOs
Outputs	Isolated relay outputs (48V 250mA) via RIOs
Clock	Battery-backed real-time clock for calendar and time-based triggers
Astronomical	Sunrise/Sunset/Twilight and Lunar phases
Ethernet	UDP, TCP, Multicast; send/receive any Ethernet message
RS232 Serial	RS232, RS485; configurable port; send/receive free syntax in ASCII, HEX or decimal
MIDI	MIDI Notes, SysEx or Timecode via Pharos RIO A
Timecode	Linear Timecode via Pharos RIO A (SMPTE, Film, EBU, NTSC)
Audio Level	Stereo 30-band spectrum analysis via Pharos RIO A
RS485 Serial	Via RIO; configurable port; send/receive free syntax in ASCII, HEX or decimal
eDMX	sACN or Art-Net
DALI	Trigger on any message, via Pharos RIO D
Web Interface	Built-in or custom designed
Wall Stations	Integrate with Pharos BPS or TPS
Conditions	Full conditional logic support
Scripting	Lua scripting for total flexibility
Scalable	Supports Pharos Designer Remote Devices
IO Modules	Supports extensive Pharos IO Module library for easy integration
Interfaces	
Ethernet	Neutrik etherCon (RJ45 compatible) for 10/100/1000Base-TX Ethernet with Link/Data LEDs; Static IP or DHCP
eDMX	Dedicated Ethernet port for eDMX; Neutrik etherCon (RJ45 compatible) for 10/100/1000Base-TX Ethernet with Link/Data LEDs; Static IP or DHCP
DVI-I Output	DVI-I output (for future development)
Serial	RS232 via DB9 connector
USB	Two USB 2.0 Type A ports (for future development)
Audio Outputs	Stereo analog & digital audio ports
DVI-D	Video input up to 1080p60 (with DVI-D IN option)

Kelvix reserves the right to update the product specifications at any time. Field modifications will void Kelvix warranty

Fixture Type _____

Project Name _____

Location _____