



Complete Specification Sheet

Pharos TPS 5

Pharos TPS 5

Full Color Touch Screen



Specifications

Category	Partner Products
Series	Pharos
Family	TPS
Environment	IP40
Input Voltage	PoE (IEEE802.3af, Class 0), 7W typical
Length	5.51 in (139.9mm)
Width	3.81 in (96.7mm)
Height	1.11 in (28.2mm)
Physical	Wall Mounted
Operating Temp.	32°F (0°C) to 122°F (50°C)
Data Storage	Micro SD Card (Included)
Max Devices	40 Pharos Designer Controllers
Dimming Input	Ethernet
Dimming Output	Dependant on connected controller

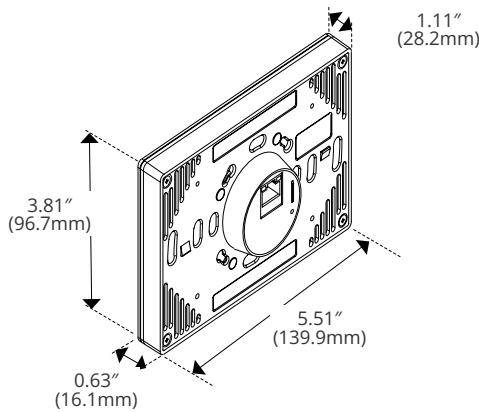
Features

- Touch Interface
- Customizable
- Easy Install
- Scalable

Description

Upgrade your lighting control system with the new Pharos TPS 5 - an elegant touch panel with a customizable 5" capacitive touch screen and seamless glass design that enhances your touch experience. Compatible with any Pharos Designer Controller, the TPS 5 also boasts improved core functionality, touch performance, screen resolution, and a universal mounting solution for easy installation.

Dimensions



Kelvix reserves the right to update the product specifications at any time. Field modifications will void Kelvix warranty

Fixture Type _____

Project Name _____

Location _____

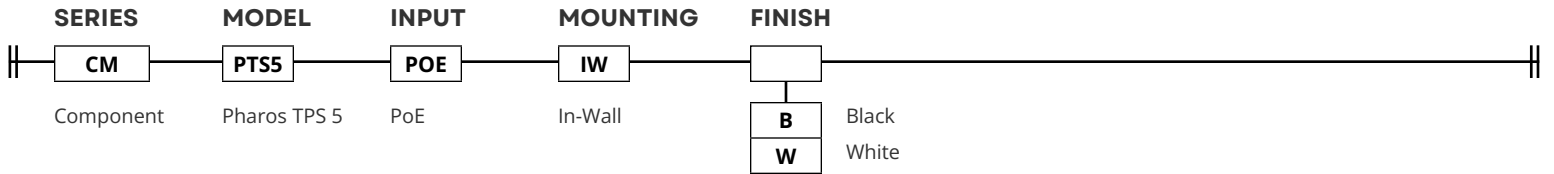


Product Code Builder

Pharos TPS 5

Product Code Builder

Example: CM-PTS5-POE-IW-B



Product Data

Interfaces	
Ethernet	RJ45 socket for 10/100Base-TX Ethernet with Link/Data LEDs; Static IP or DHCP
Touchscreen	5" capacitive touch; 800×480 24bpp; 650 cd/m2
Capabilities	
Orientation	Portrait or Landscape
Layouts	Free editable layouts
Pages	Any number of pages, although performance may be affected by complexity and number
Navigation	Convenient and custom navigation via configurable navigation bars
Fonts	Custom font support, including fonts with extended character sets e.g. Arabic, Chinese, Cyrillic, Japanese and Korean
Themes	Wide selection of themes available to download, or create your own with Designer's theme editor
Controls	A wide array of customizable buttons, sliders, colour pickers, labels, keypads and clocks
Flexible Integration	Fully integrated with Designer Trigger, so button states, graphics, and captions can change according to any number of preset triggers
Secure Access	Keypad for PIN-code entry; multiple user levels
Commissioning	Commissioned with Pharos Designer 2.9 and above

Kelvix reserves the right to update the product specifications at any time. Field modifications will void Kelvix warranty

Fixture Type _____

Project Name _____

Location _____