



Complete Specification Sheet

Pharos LPC X

Pharos LPC X

Large Scale eDMX Controller



Specifications

Category	Partner Products
Series	Pharos
Family	LPCX
Environment	IP40
Input Voltage	120-240V AC/50-60HZ
Length	17.00in (431.8mm)
Width	13.50in (342.9mm)
Height	1.75in (44.4mm)
Rack Length	19.00in (482.6mm) (1U Rack)
Physical	1U Rack Mount
Operating Temp.	32°F (0°C) to 122°F (50°C)
Data Storage	Internal 16GB SSD
Max Devices	40 Pharos Designer Controllers
Dimming Input	Ethernet, DMX512, Serial
Dimming Output	sACN, Art-Net, DMX512, eDMX

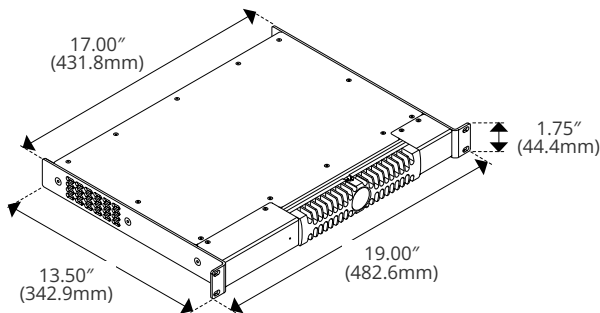
Features

- Remote Management with Pharos Cloud
- Scalable
- Individual Pixel Mapping
- Reliable

Description

Experience extreme power and integration with the Pharos LPC X - the ultimate solution for landmark lighting installations with high channel counts. With seamless integration with Pharos Designer products and an optional real-time video input, you can take your lighting to the next level.

Dimensions



Kelvix reserves the right to update the product specifications at any time. Field modifications will void Kelvix warranty

Fixture Type _____

Project Name _____

Location _____

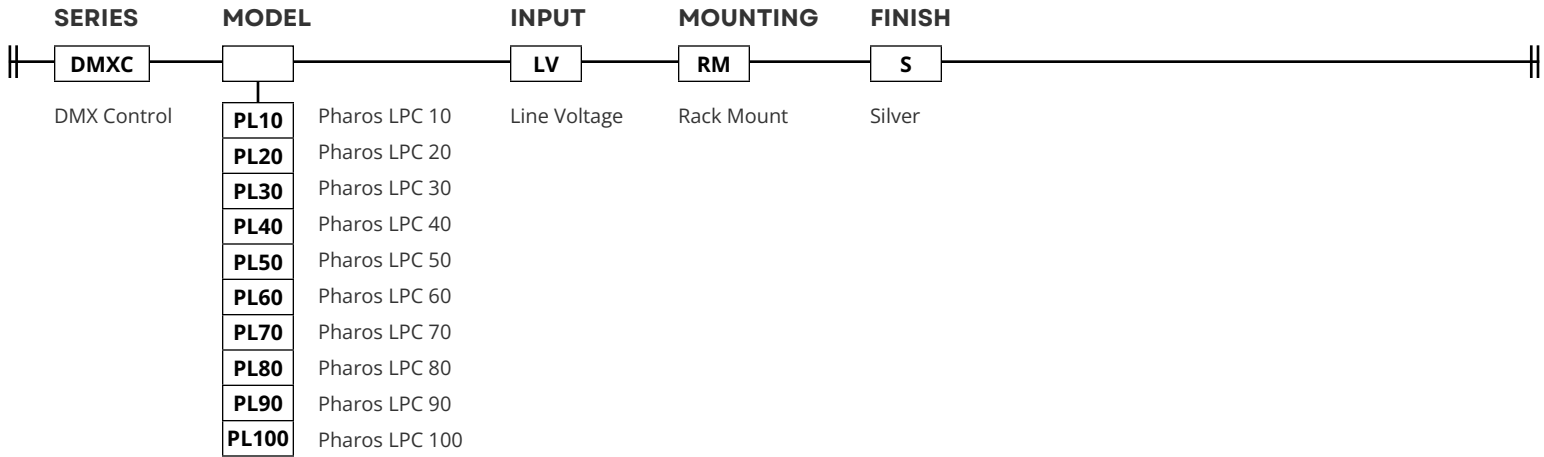


Product Code Builder

Pharos LPC X

Product Code Builder

Example: DMXC-PL10-LV-RM-S



Product Data

Model	eDMX Output
PL10	10 Universe / 5120 Channels
PL20	20 Universe / 10,240 Channels
PL30	30 Universe / 15,360 Channels
PL40	40 Universe / 20,480 Channels
PL50	50 Universe / 25,600 Channels
PL60	60 Universe / 30,720 Channels
PL70	70 Universe / 35,840 Channels
PL80	80 Universe / 40,960 Channels
PL90	90 Universe / 46,080 Channels
PL100	100 Universe / 51,200 Channels

Output	
sACN	USITT E1.31 (with per fixture priority) standard
Art-Net	ArtNet, ArtNet II and ArtNet III (configurable broadcast override)
KiNET	KiNET V1 (DMX out) and V2 (Port out); PDS/Data Enabler discovery
Pathport	Pathway Connectivity protocol
DVI-I	DVI-I output for video-mapped fixtures
DMX512	Via the EDN or any other eDMX node
DALI	via RIO D
Scalable	Synchronises with up to 40 Pharos Designer Controllers over network
Simultaneous	Multiple protocols can be in operation simultaneously. Limited by patched channels

Kelvix reserves the right to update the product specifications at any time. Field modifications will void Kelvix warranty

Fixture Type _____

Project Name _____

Location _____



Product Details

Pharos LPC X

Product Data

Output	
EDN	Can natively integrate with and output DMX through the ports of the EDN
SPI	Supports synchronous and asynchronous serial data output via the EDN+SDI
Audio Out	Audio Output with two audio layers; a background layer and an alert layer
Control Triggering and Integration	
Startup	Commences programmed playback automatically on receiving power
Inputs	Contact closure, active low, active high or 0-24V analog level via RIOs
Outputs	Isolated relay outputs (48V 250mA) via RIOs
Clock	Battery-backed real-time clock for calendar and time-based triggers
Astronomical	Sunrise/Sunset/Twilight and Lunar phases
Ethernet	UDP, TCP, Multicast; send/receive any Ethernet message
RS232 Serial	RS232, RS485; configurable port; send/receive free syntax in ASCII, HEX or decimal
MIDI	MIDI Notes, SysEx or Timecode
Timecode	Linear Timecode via Pharos RIO A (SMPTE, Film, EBU, NTSC)
Audio Level	Stereo 30-band spectrum analysis via Pharos RIO A
RS485 Serial	Trigger on changes within a range or entering a range
eDMX	SACN or Art-Net (option to pass-thru on local DMX output)
DALI	Trigger on any message, via Pharos RIO D
Web Interface	Built-in or custom designed
Wall Stations	Integrate with Pharos BPS or TPS
Conditions	Full conditional logic support
Scripting	Lua scripting for total flexibility
Scalable	Supports Pharos Designer Remote Devices
IO Modules	Supports extensive Pharos IO Module library for easy integration
Interfaces	
Ethernet	Neutrik etherCon (RJ45 compatible) for 10/100/1000Base-TX Ethernet with Link/Data LEDs; Static IP or DHCP
eDMX	Dedicated Ethernet port for eDMX; Neutrik etherCon (RJ45 compatible) for 10/100/1000Base-TX Ethernet with Link/Data LEDs; Static IP or DHCP
DVI-I Output	DVI-I output for monitoring or video mapped fixtures
Serial	RS232 via DB9 connector
USB	Two USB 2.0 Type A ports (for future development)
Audio Outputs	Stereo analog & digital audio ports
DVI-D	Video input up to 1080p60 (with DVI-D IN option)

Kelvix reserves the right to update the product specifications at any time. Field modifications will void Kelvix warranty

Fixture Type _____

Project Name _____

Location _____