



Complete Specification Sheet

Pharos LPC

Pharos LPC

DMX512 / eDMX Controller



Specifications

Category	Partner Products
Series	Pharos
Family	LPC
Environment	IP40
Input Voltage	9 - 48V DC, PoE (4W Typical)
Length	5.65in (143.5mm)
Width	3.54in (89.9mm)
Height	2.28in (57.9mm)
Physical	8 Unit Wide DIN Rail Mount
Operating Temp.	32°F (0°C) to 122°F (50°C)
Data Storage	SD Card (Included)
Max Devices	40 Pharos Designer Controllers
Dimming Input	Ethernet, DMX512, Serial
Dimming Output	DMX512, eDMX

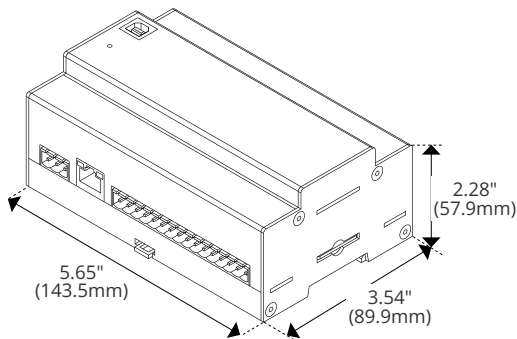
Features

- Remote Management with Pharos Cloud
- Scalable
- Flexible Outputs
- Custom User Interfaces

Description

Pharos' LPC is a reliable, solid state DMX512 and eDMX controller with a large focus on systems integration and triggering.

Dimensions



Kelvix reserves the right to update the product specifications at any time. Field modifications will void Kelvix warranty

Fixture Type _____

Project Name _____

Location _____

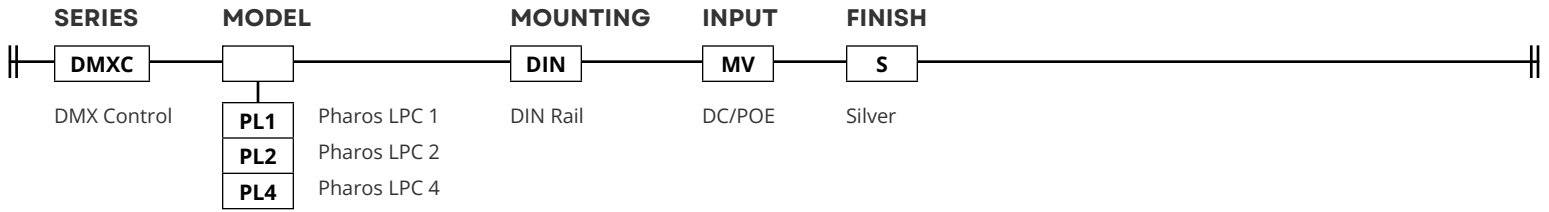


Product Code Builder

Pharos LPC

Product Code Builder

Example: DMXC-PL1-DIN-MV-S



Product Data

Model	DMX512 Output	eDMX Output	Total Pixel Universes
PL1	512 Channels Total		1 Universe
PL2	1024 Channels Total		2 Universes
PL4	2048 Channels Total		4 Universes

Kelvix reserves the right to update the product specifications at any time. Field modifications will void Kelvix warranty

Fixture Type _____

Project Name _____

Location _____



Product Details

Pharos LPC

Product Data

Output	
DMX512	2 Ports (max 512 channels each) USITT E1.11-2008
RDM	Supports discovery and addressing via Designer software
sACN	USITT E1.31 (with per fixture priority) standard
Art-Net	ArtNet, ArtNet II and ArtNet III (configurable broadcast override)
KiNET	KiNET V1 (DMX out) and V2 (Port out); PDS/Data Enabler discovery
Pathport	Pathway Connectivity protocol
DALI	via RIO D
Control Triggering and Integration	
Startup	Commences programmed playback automatically on receiving power
Contact Closures	Connect an external volt-free switch between input and ground (internal 2.2k pull-up to 5V)
Digital In	Connect an external voltage source between input and ground (24V maximum; internal 2MΩ pull-down to 0V); software configurable low/high threshold
Analog In	Connect an external voltage source between input and ground (24V maximum); software-configurable range
Clock	Battery-backed real-time clock for calendar and time-based triggers
Astronomical	Sunrise/Sunset/Twilight and Lunar phases
Ethernet	UDP, TCP, Multicast; send/receive any Ethernet message
Serial Data	RS232, RS485; configurable port; send/receive free syntax in ASCII, HEX or decimal
MIDI	MIDI Notes, SysEx or Timecode
Timecode	Linear Timecode via Pharos RIO A (SMPTE, Film, EBU, NTSC)
Audio Level	Stereo 30-band spectrum analysis via Pharos RIO A
DMX512	Trigger on changes within a range or entering a range
eDMX	sACN or Art-Net (option to pass-thru on local DMX output)
DALI	Trigger on any message, via Pharos RIO D
Web Interface	Built-in or custom designed
Wall Stations	Integrate with Pharos BPS or TPS
Conditions	Full conditional logic support
Scripting	Lua scripting for total flexibility
IO Modules	Supports extensive Pharos IO Module library for easy integration
Interfaces	
Ethernet (RJ45)	RJ45 socket for 10/100Base-TX Ethernet with Link/Data LEDs; Static IP or DHCP; Dual IP address for eDMX
DMX512	Two isolated DMX ports, RDM compatible
Serial	RS232 / RS485 / DMX in
Inputs	Eight inputs, individually selectable operating mode for contact closure, digital or analog input
MIDI In & Out	MIDI via 5-pin DIN 41524 socket
USB-B Socket	USB 1.1 for connection to PC

Kelvix reserves the right to update the product specifications at any time. Field modifications will void Kelvix warranty

Fixture Type _____

Project Name _____

Location _____