



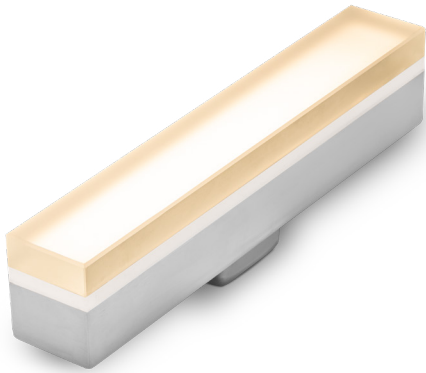
Complete Specification Sheet

Pavex™ Linear

LINEAR
LED

Pavex™ Linear

Inground Hardscape Fixture



Specifications

Category	Linear LED
Series	Pavex
Family	Linear
Lumens per Watt	30 lm/w
Environment	IP67
CCT Options	2700K, 3000K, 3500K, 4000K, Red, Blue, Green
Input Voltage	24V DC
Lengths	12", 24", 36" 48" Lengths
Height	3.39in (86.0mm)
Impact Rating	IK10
Drive-Over Rating	10,000 lbs
Operating Temp.	-13°F (-25°C) to 122°F (50°C)

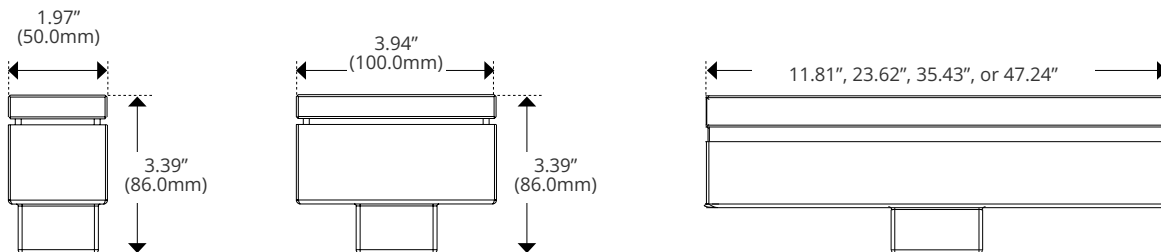
Features

- Perfect for Pavers, Gravel, Soil, Decks, Etc (Custom Housing needed for Concrete Mounting)
- Pure White Tempered Glass
- Drive-Over Rated
- Non-Slip Textured Surface
- High Impact Rated / IK10
- Custom Sizes Available

Description

Pavex Linear is a highly customizable linear in-ground fixture. Enabling lines and angles of illumination to be added to a variety of hardscape applications. NOTE: Pavex Lighting Source and Housing Sold Separately.

Dimensions



Kelvix reserves the right to update the product specifications at any time. To maintain warranty, field modifications must follow approved Kelvix installation instruction.
 Conforms to ANSI/UL Standard 2108
 Certified to CAN/CSA Standard C22.2 No. 250.2

Fixture Type _____

Project Name _____

Location _____

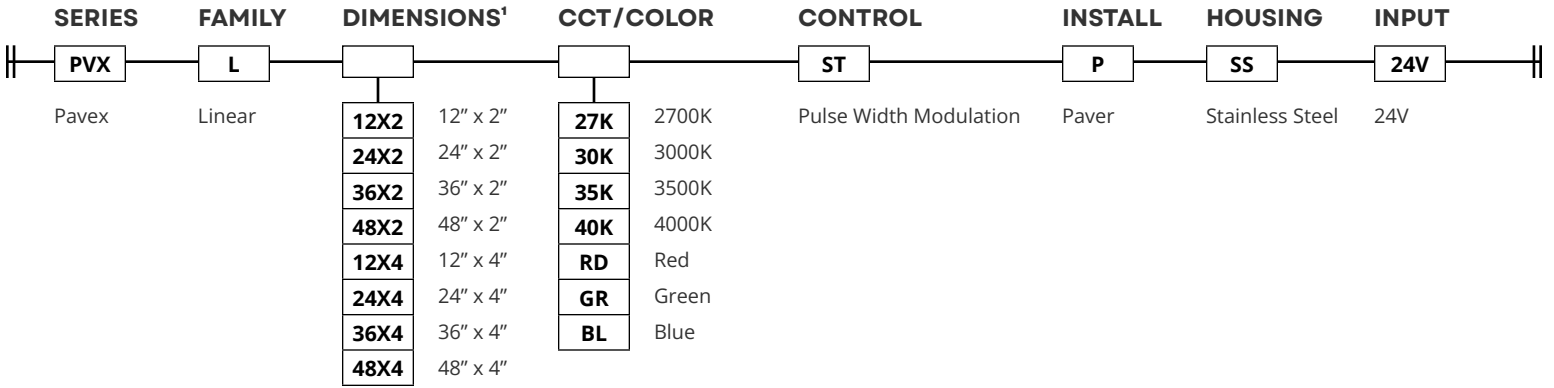


Product Code Builder

Pavex™ Linear

Product Code Builder

Example: PVX-L-12X2-27-ST-L-SS-24V



PRODUCT DATA

Feet	Watts	Lumens
12x2	1.8W	54 lm
24x2	3.5W	105 lm
36x2	6W	180 lm
48x2	7W	210 lm
12x4	3W	90 lm
24x4	6W	180 lm
36x4	10W	300 lm
48x4	12W	360 lm

DIMENSIONS

	Length	Width
12x2	11.81in (300.0mm)	2.17in (55.0mm)
24x2	23.62in (600.0mm)	2.17in (55.0mm)
36x2	35.43in (900.0mm)	2.17in (55.0mm)
48x2	47.24in (1200.0mm)	2.17in (55.0mm)
12x4	11.81in (300.0mm)	3.94in (100.0mm)
24x4	23.62in (600.0mm)	3.94in (100.0mm)
36x4	35.43in (900.0mm)	3.94in (100.0mm)
48x4	47.24in (1200.0mm)	3.94in (100.0mm)

¹Consult Kelvix for custom lengths

Kelvix reserves the right to update the product specifications at any time. To maintain warranty, field modifications must follow approved Kelvix installation instruction.

Conforms to ANSI/UL Standard 2108

Certified to CAN/CSA Standard C22.2 No. 250.2

Fixture Type _____

Project Name _____

Location _____

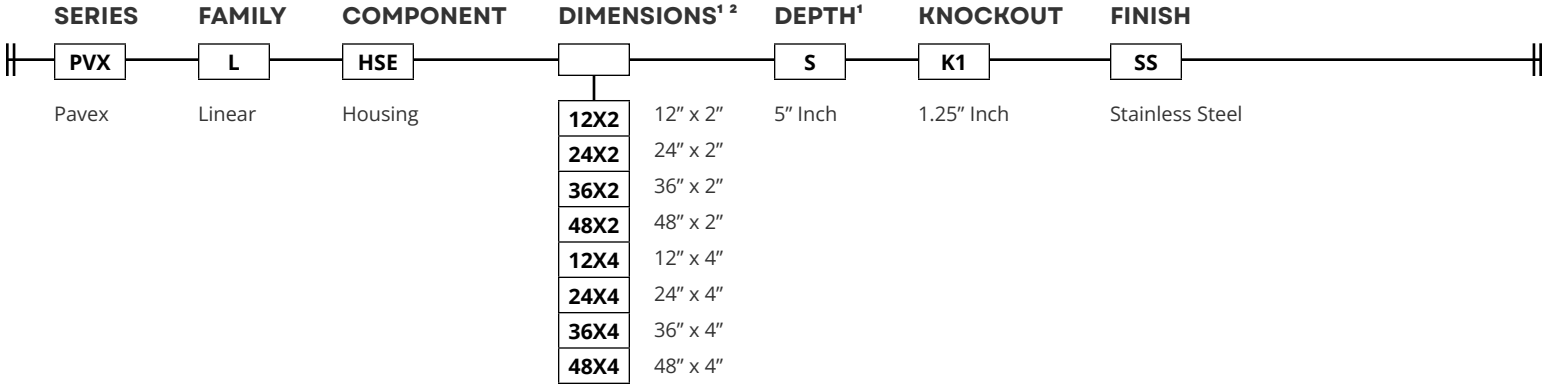


Housing Options

Pavex™ Linear Housing

Product Code Builder

Example: PVX-L-12X2-S-K1-SS

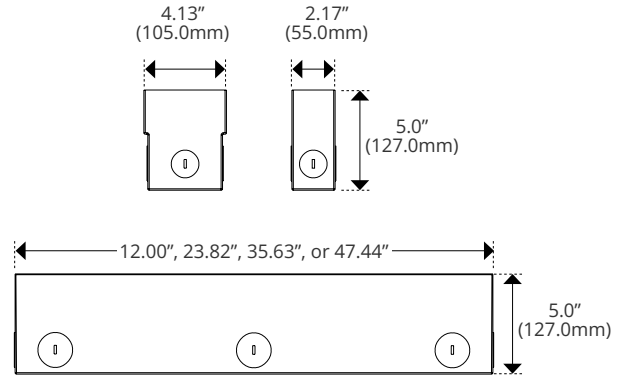


IMAGE



DIMENSIONS

	Length	Width
12x2	12.00in (305.0mm)	2.17in (55.0mm)
24x2	23.82in (605.0mm)	2.17in (55.0mm)
36x2	35.63in (905.0mm)	2.17in (55.0mm)
48x2	47.44in (1205.0mm)	2.17in (55.0mm)
12x4	12.00in (305.0mm)	4.13in (105.0mm)
24x4	23.82in (605.0mm)	4.13in (105.0mm)
36x4	35.63in (905.0mm)	4.13in (105.0mm)
48x4	47.44in (1205.0mm)	4.13in (105.0mm)



¹Consult Kelvix for custom lengths

²Housing dimensions will match Fixture dimensions. Options shown here for ease

Kelvix reserves the right to update the product specifications at any time. To maintain warranty, field modifications must follow approved Kelvix installation instruction.

Conforms to ANSI/UL Standard 2108

Certified to CAN/CSA Standard C22.2 No. 250.2

Fixture Type _____

Project Name _____

Location _____