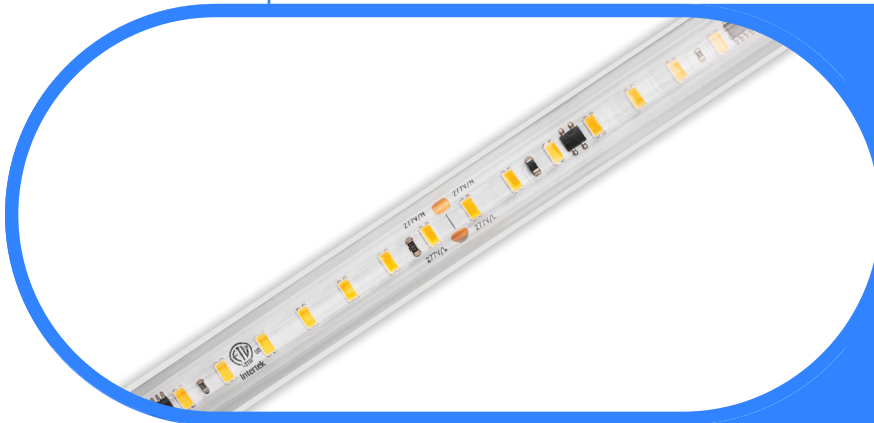




# Complete Specification Sheet

## Orex™ Title 24 Static White

LINEAR  
LED



## Orex™ Title 24 Static White

Line Voltage 120Hz Refresh Rate Linear LED Tape



### Specifications

<b>Category</b>	Linear LED
<b>Series</b>	Orex T24
<b>Family</b>	Static White
<b>Watts Per Foot</b>	4W/ft
<b>CRI</b>	90+
<b>CCT Options</b>	2400K, 2700K, 3000K, 3500K, 4000K, 5000K
<b>Input Voltage</b>	120V AC
<b>Width</b>	2.5" (63.5mm)
<b>Height</b>	0.69" (17.0mm)
<b>Max Run Length</b>	100ft
<b>Cut Intervals</b>	4.0in (101.6mm)
<b>Beam Angle</b>	120°
<b>Operating Temp.</b>	-4°F (-20°C) to 107°F (42°C)
<b>Dimming Options</b>	0-10V (with LCX-1041), Triac, and ELV

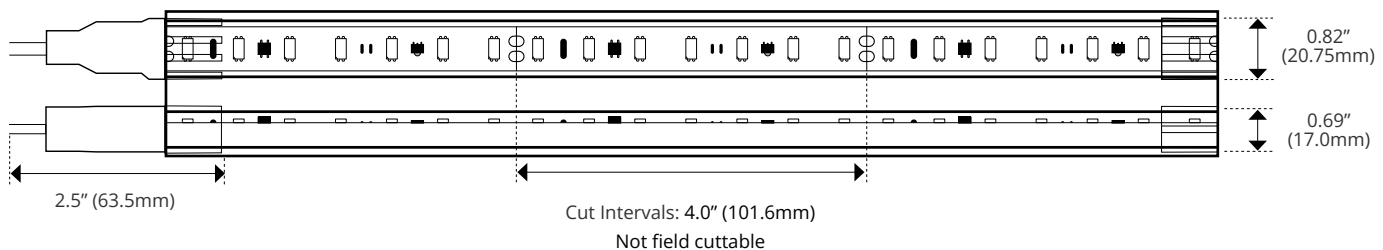
### Features

- Supports Title 24 JA8-2016 Compliance
- 120V Line Voltage
- Integral AC/DC Rectifier
- ELV Dimmable
- Hardwire or Plug-in Installation
- IP65
- Refresh Rate of 120Hz

### Description

Boasting a refresh rate of 120Hz, OREX T-24 offers up to 300 lumens per foot. With a maximum run length of up to 100 feet and an IP65 rating, OREX T-24 is the perfect solution for both indoor and outdoor applications.

### Dimensions



Kelvix reserves the right to update the product specifications at any time. Field modifications will void ETL listing and warranty.

Conforms to ANSI/UL Standard 2108  
Certified to CAN/CSA Standard C22.2 No. 250.2

Fixture Type \_\_\_\_\_

Project Name \_\_\_\_\_

Location \_\_\_\_\_

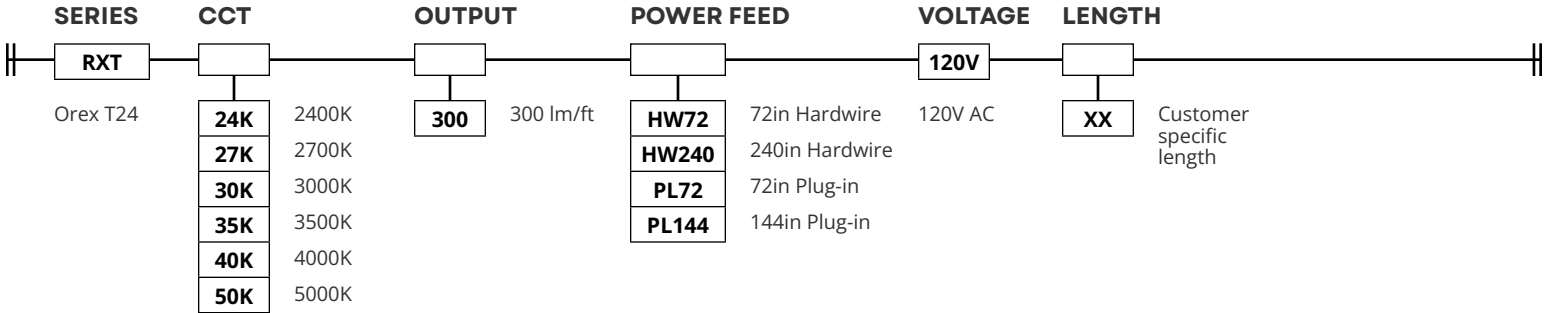


# Product Code Builder

## Orex™ Title 24 Static White

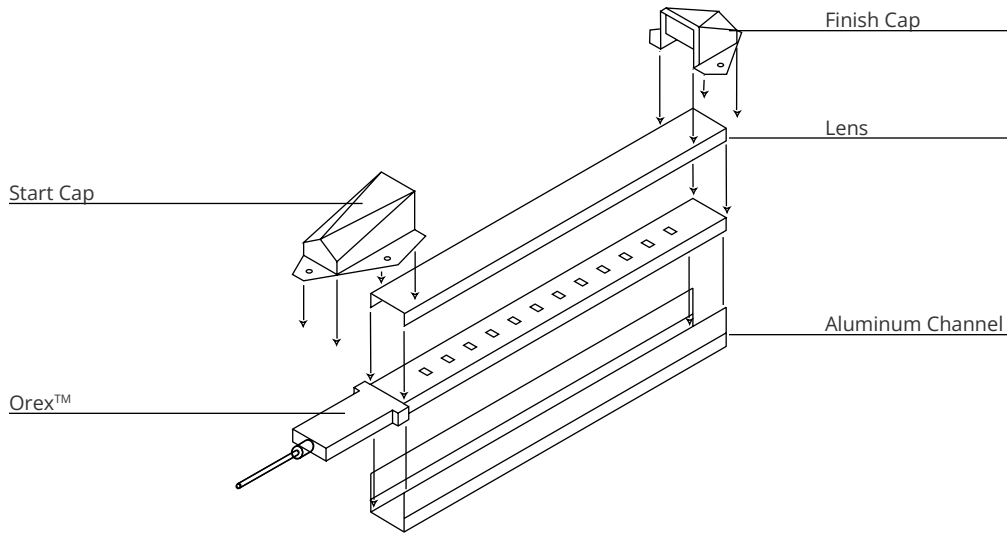
### Product Code Builder

Example: RXT-27K-300-HW72-120V-XX



### PRODUCT DATA

MODEL:	RXT-24K	RXT-27K	RXT-30K	RXT-35K	RXT-40K	RXT-50K
<b>Kelvin</b>	2400K	2700K	3000K	3500K	4000K	5000K
<b>Lumens</b>	260 lm/ft	272 lm/ft	279 lm/ft	301 lm/ft	320 lm/ft	326 lm/ft



Kelvix reserves the right to update the product specifications at any time. Field modifications will void ETL listing and warranty.

Conforms to ANSI/UL Standard 2108  
Certified to CAN/CSA Standard C22.2 No. 250.2

Fixture Type \_\_\_\_\_

Project Name \_\_\_\_\_

Location \_\_\_\_\_



# Mounting Options

## Orex™ Title 24 Static White

### Mounting Options

#### IMAGE

#### SPECIFICATIONS

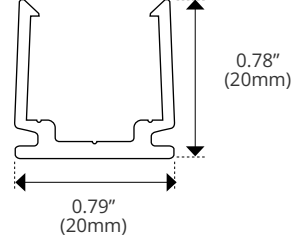
#### DIMENSIONS

Plastic Mounting Base



<b>RXT-CH-PL-2M</b>	
<b>Length</b>	0.56in (15.0mm)
<b>Width</b>	0.79in (20mm)
<b>Height</b>	0.44in (14.3mm)

Pack of 10 Units

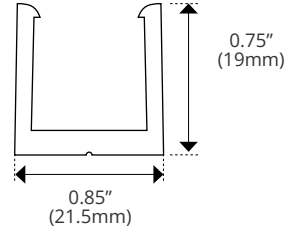


Mounting Clip



<b>RXT-CLP-F1-PAK-P</b>	
<b>Length</b>	0.67" (17mm)
<b>Width</b>	0.85in (21.5mm)
<b>Height</b>	0.75in (19mm)

Pack of 10 Units


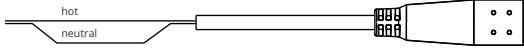

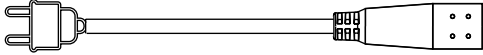

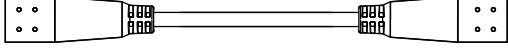




# Power Feed Details

## Orex™ Title 24 Static White

### Factory Molded Power Feeds and Connectors

IMAGE	DETAILS	DIAGRAM												
<b>Hardwire Power Feed</b> 	RXT-HWP-72-IM   72in (6.0ft)													
	RXT-HWP-72-IM   240in (20.0ft)													
<b>Plug-in Power Feed</b> 	RXT-PLG-72-IM   72in (6.0ft)													
	RXT-PLG-144-IM   144in (12.0ft)													
<b>Jump Cables</b> 	<table border="1"> <thead> <tr> <th>SERIES</th> <th>TYPE</th> <th>LENGTH</th> <th>TYPE</th> </tr> </thead> <tbody> <tr> <td>RXT</td> <td>JP</td> <td></td> <td>IM</td> </tr> <tr> <td>Orex</td> <td>Jumper Cable</td> <td>           6   6in (0.5ft)            24   24in (2.0ft)            48   48in (4.0ft)         </td> <td>Injection Mold</td> </tr> </tbody> </table>	SERIES	TYPE	LENGTH	TYPE	RXT	JP		IM	Orex	Jumper Cable	6   6in (0.5ft) 24   24in (2.0ft) 48   48in (4.0ft)	Injection Mold	
SERIES	TYPE	LENGTH	TYPE											
RXT	JP		IM											
Orex	Jumper Cable	6   6in (0.5ft) 24   24in (2.0ft) 48   48in (4.0ft)	Injection Mold											

Kelvix reserves the right to update the product specifications at any time. Field modifications will void ETL listing and warranty.  
 Conforms to ANSI/UL Standard 2108  
 Certified to CAN/CSA Standard C22.2 No. 250.2

Fixture Type \_\_\_\_\_

Project Name \_\_\_\_\_

Location \_\_\_\_\_

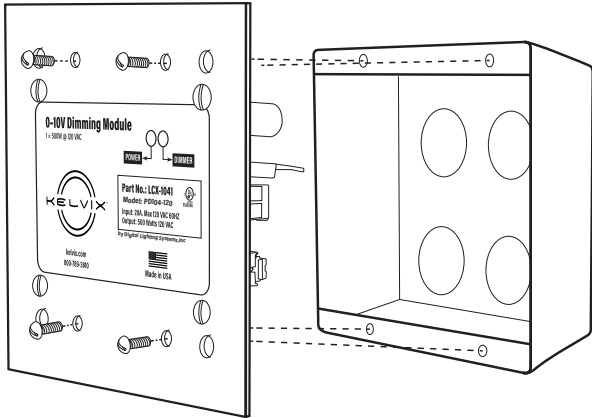


# Power Details

## Orex™ 120, Title 24

### Power Supply Details

#### DETAILS

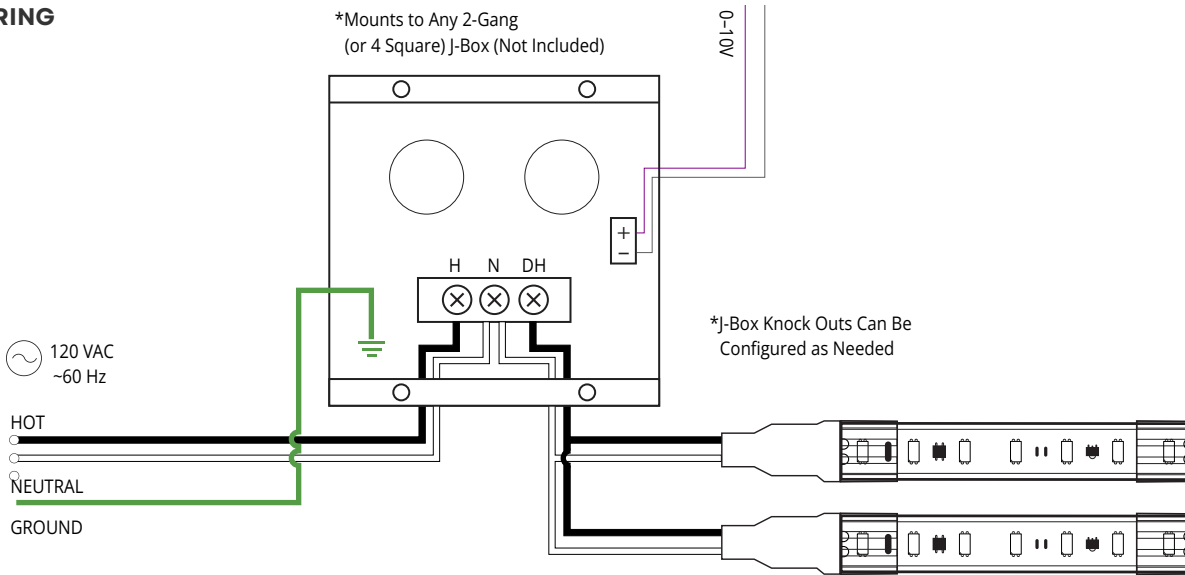


#### SPECIFICATION

<b>LCX-1041</b>	
<b>Model</b>	LCX-1041
<b>Input Voltage</b>	120 VAC
<b>Output Voltage</b>	120 VAC
<b>Output</b>	500W Max
<b>Standard Consumption</b>	3.2W
<b>Front Panel Dimensions</b>	4.8in (121.9mm) × 4.8in (121.9mm)
<b>Depth</b>	1.875"
<b>Ambient Temperature</b>	104°F Max

1 Channel × 500W Dimmer @ 120 VAC  
 Mounts to Any 2-Gang (or 4 Square) J-Box  
 0-10V Control Inputs

#### WIRING



Kelvix reserves the right to update the product specifications at any time. Field modifications will void ETL listing and warranty.  
 Conforms to ANSI/UL Standard 2108  
 Certified to CAN/CSA Standard C22.2 No. 250.2

Fixture Type \_\_\_\_\_

Project Name \_\_\_\_\_

Location \_\_\_\_\_