



# Complete Specification Sheet

## OSLV96

# Outdoor SLV96

96 Watt  
24 Volt Non-Dim  
Outdoor Class 2 Power Supply



### Specifications

Category	Power Supplies
Series	Non-Dim
Family	96W
Input Voltage	100-277V AC
Output Voltage	24 DC Constant Voltage
Max Wattage	96W
Storage Temp.	-40°F (-40°C) to 176°F (80°C)
Operating Temp.	-40°F (-40°C) to 140°F (60°C)
Dimming Options	None (Requires external secondary-side dimming device)

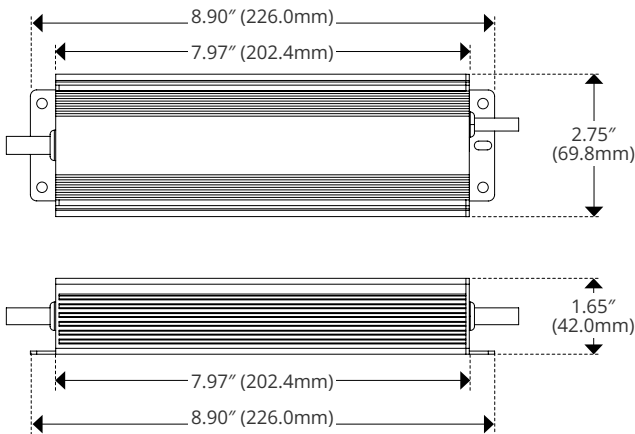
### Features

- Non-Dimmable Driver
- Compatible with Color Changing and Pixel Systems
- Overload Protection/Auto Reset Short Circuit Protection
- Free Air Convection Cooling
- Suitable for Dry/Damp/Wet Location
- UL-Listed Class 2

### Description

The OSLV96 is a 96 Watt outdoor-rated LED power supply designed for color changing and pixel lighting. Built to withstand harsh weather conditions, it offers high efficiency and reliable performance, making it ideal for outdoor installations. The OSLV96 seamlessly powers a wide range of Kelvix color changing and digital pixel products, ensuring consistent, dynamic lighting for creative outdoor displays.

### Dimensions



### Order Code



Kelvix reserves the right to update the product specifications at any time. Field modifications will void Kelvix warranty  
 Conforms to UL8750. Certified to CAN/CSA Standard C22.2 NO. 250.13

Fixture Type \_\_\_\_\_

Project Name \_\_\_\_\_

Location \_\_\_\_\_



# Complete Specification Sheet

## OSLV96

### SPECIFICATION

Spec	OSLV96	
<b>Input</b>		
Input Voltage	100 - 277V AC	
Input Current	0.8A	
Rated Input Voltage - Phase Cut Dimming		
Rated Input Voltage - No Phase Cut Dimming	100 - 277V AC	
Input Frequency	47 - 63Hz, 50/60 Typical	
	277V AC @ 100% Load	0.8A
Inrush Current (Cold Start)	120V AC	20A
	277V AC	27A
Leakage Current (60Hz)	120V AC	0.5A
<b>General Characteristics</b>		
Power Factor	120V AC	>0.95 @ 30% - 100% Load
	277V AC	>0.95 @ 70% - 100% Load
Total Harmonic Distortion	30% - 100% Load 120V AC	20%
Efficiency - Steady State	120V AC	84%
	277V AC	86%
Turn On Delay Time, Cold Start, No Dimmer		
<b>Output</b>		
Output Voltage	24V	
Output Current	4A	
Output Power	96W	
Voltage Tolerance	±0.5V	
<b>Protection</b>		
Over Loading	≤120% Hiccup mode, recovers automatically after fault condition is removed	
Over Temperature Protection	Shell surface temp. 212°F (100°C) +18°F (10°C) shut down o/p voltage, automatically recover after cooling	
Short Circuit Protection	Auto-recovery after fault conditions are removed.	
<b>Environment</b>		
Storage Temperature	-40°F (-40°C) - 176°F (80°C), 10% RH to 95% RH	
Ambient Operating Temperature	-40°F (-40°C) to 140°F (60°C)	
Operating Relative Humidity	20 - 95% Non Condensing	
Cooling	Convection cooling	
Environment	Dry/Damp/Wet	

Kelvix reserves the right to update the product specifications at any time. Field modifications will void Kelvix warranty  
 Conforms to UL8750. Certified to CAN/CSA Standard C22.2 NO. 250.13

Fixture Type \_\_\_\_\_

Project Name \_\_\_\_\_

Location \_\_\_\_\_



# Complete Specification Sheet

## OSLV96

### SPECIFICATION

Spec	OSLV96
<b>Others</b>	
Length	8.90" (226mm)
Width	2.75" (69.8mm)
Height	1.65" (42mm)
Net Weight	2.31lbs (1.05Kg)
<b>Safety Compliance</b>	
Certifications	UL8750, CAN/CSA-C22.2 No. 250.13, UL / cUL / FCC / Class 2 / Class P / CE / RoHS / Reach
Vibration	10-500Hz, 5G 12min/1 cycle, period for 72min each along X, Y, Z axes
Withstand Voltage	I/P-O/P: 1.88KVAC, I/P-FG:1.8KVAC, O/P-FG:1.8KVAC (US)
Isolation Resistance	I/P-O/P: 100MΩ / 500VDC / 77°F / 70% RH
EMI Emission	FCC 47 CFR Part 15, Subpart B (US)
Note:	<p>1. All parameters if NOT specially mentioned are measured at 120VAC input, rated load and 77°F of ambient temperature.</p> <p>2. Tolerance: includes set up tolerance, line regulation and load regulation. 3. The power supply is considered as a component that will be operated in combination with final Equipment. Since EMC performance will be affected by the complete installation, the final equipment manufactures must be-qualify EMC Directive on the complete installation again.</p>

Kelvix reserves the right to update the product specifications at any time. Field modifications will void Kelvix warranty  
 Conforms to UL8750. Certified to CAN/CSA Standard C22.2 NO. 250.13

Fixture Type \_\_\_\_\_

Project Name \_\_\_\_\_

Location \_\_\_\_\_

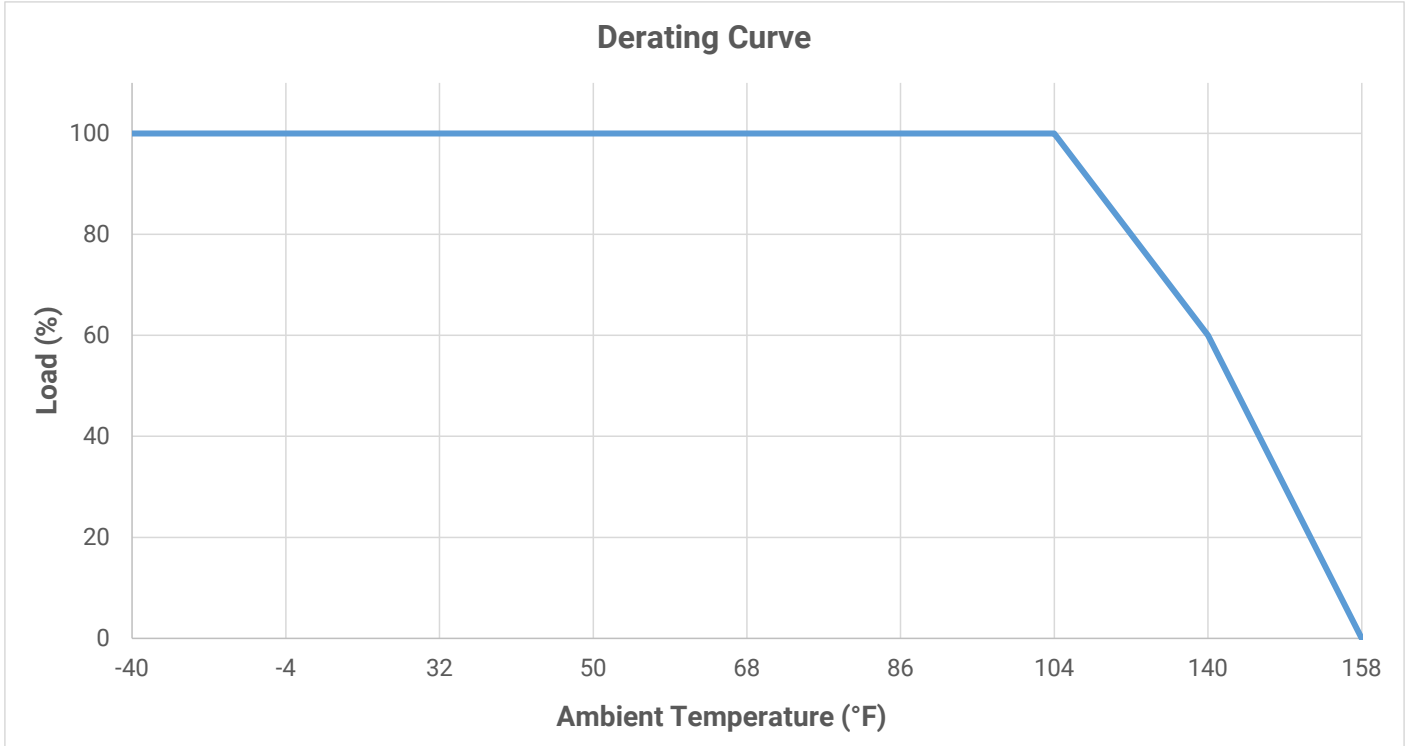


# Complete Specification Sheet

## OSLV96

### Charts

#### DERATING CURVE



Kelvix reserves the right to update the product specifications at any time. Field modifications will void Kelvix warranty  
Conforms to UL8750. Certified to CAN/CSA Standard C22.2 NO. 250.13

Fixture Type \_\_\_\_\_

Project Name \_\_\_\_\_

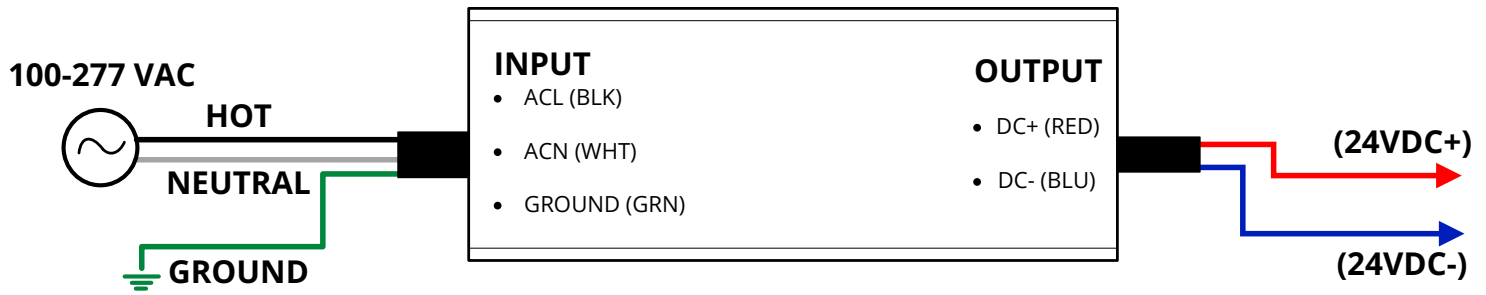
Location \_\_\_\_\_



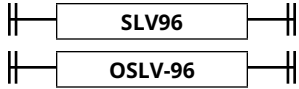
# Wiring Diagram

## SLV96, OSLV96

### Wiring Diagram



### Compatible with:



Kelvix reserves the right to update the product specifications at any time. Field modifications will void Kelvix warranty  
 Conforms to UL8750. Certified to CAN/CSA Standard C22.2 NO. 250.13

Fixture Type \_\_\_\_\_

Project Name \_\_\_\_\_

Location \_\_\_\_\_