

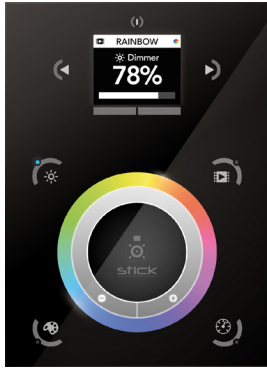


Complete Specification Sheet

Nicolaudie Stick DE3

Nicolaudie Stick DE3

Glass Touch Panel DMX512 Controller



Specifications

Category	Partner Products
Series	Nicolaudie
Family	DE3
Environment	IP20
Input Voltage	5 - 15V DC
Length	4.17in (105.9mm)
Width	5.75in (149.0mm)
Height	0.43in (10.9mm)
Physical	Wall Mounted
Operating Temp.	14°F (-10°C) to 113°F (45°C)
Data Storage	Micro SD Card (Included)
Dimming Input	Touch Interface (Optional: Dry Contact, RS232, UDP/TCP)
Dimming Output	DMX512, RS232, UDP/TCP

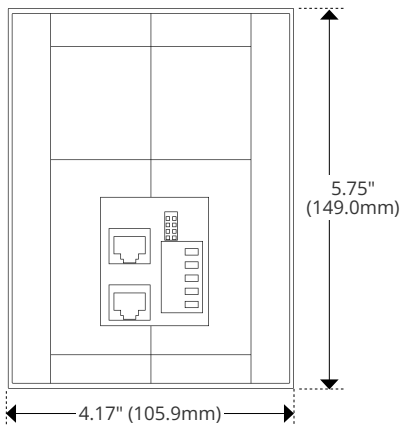
Features

- Touch Interface
- Stand Alone
- Up to 10 Zones of DMX Control
- Touch Color/Dimmer/Speed Wheel

Description

The Nicolaudie Stick DE3 is designed to meet the demands of even the most complex projects while maintaining an intuitive and userfriendly interface. With easy programming capabilities from a PC, Mac, Android, iPad, or iPhone using the downloadable software, you can customize lighting levels, color schemes, and effects to suit your unique vision with unparalleled ease.

Dimensions



Kelvix reserves the right to update the product specifications at any time. Field modifications will void Kelvix warranty

Fixture Type _____

Project Name _____

Location _____

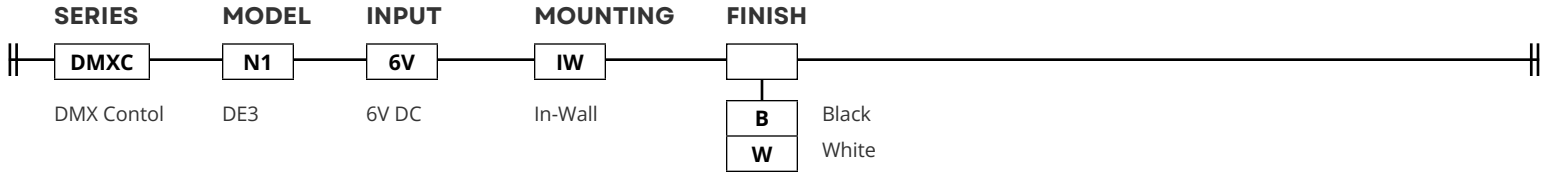


Product Code Builder

Nicolaudie Stick DE3

Product Code Builder

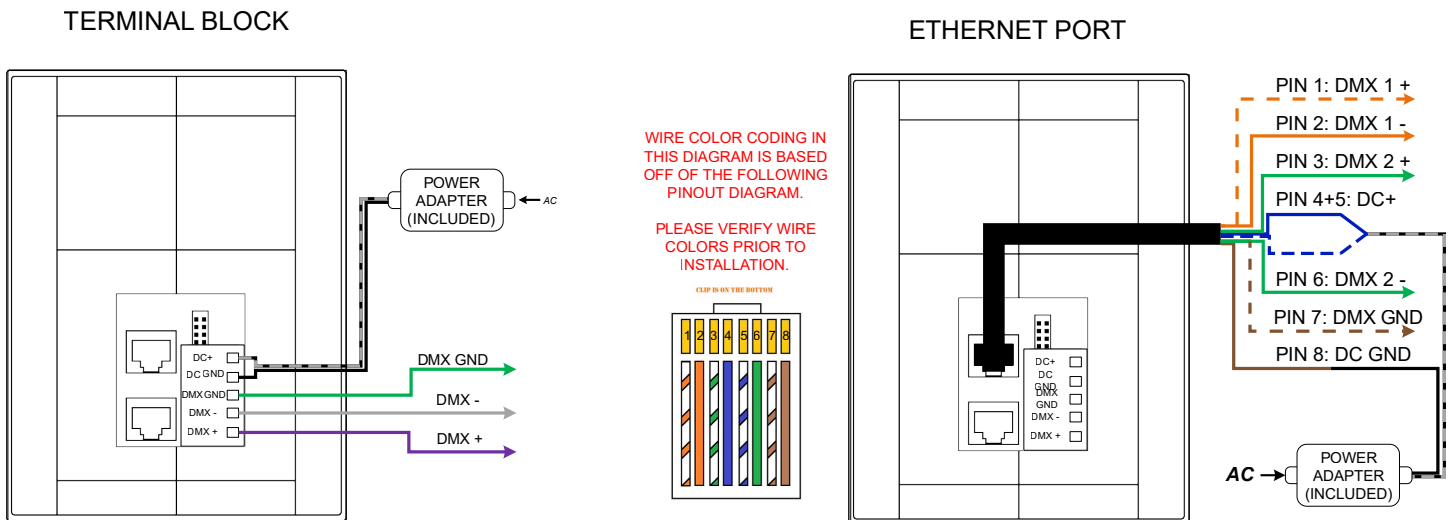
Example: DMXC-N1-6V-IW-



Product Data

Interfaces	
Glass Touch Panel	Touch Sensitive Buttons with Color Wheel and full color display
Arcolis Remote	iOS/Android App to program and control scenes
Infrared	Control using infrared controller (remote receiver not included)
Capabilities	
DMX512	Terminal Block (512 Channels only) or Ethernet Port 1 (1024 Channels total)
Live Control	Color / Dimmer / Speed
Port Triggers	8 Dry Contact Ports
Clock	100 Clock triggers
Astronomical	Sunrise/Sunset
Ethernet	Network and TCP Triggering
Calendar	Trigger on Specific Date
Serial Data	RS232

Wiring Diagram



Kelvix reserves the right to update the product specifications at any time. Field modifications will void Kelvix warranty

Fixture Type _____

Project Name _____

Location _____