



Complete Specification Sheet

DALI 1 Channel Dimmer

DALI 1 Channel Dimmer

1 Channel
Single Color
Dali Dimmer



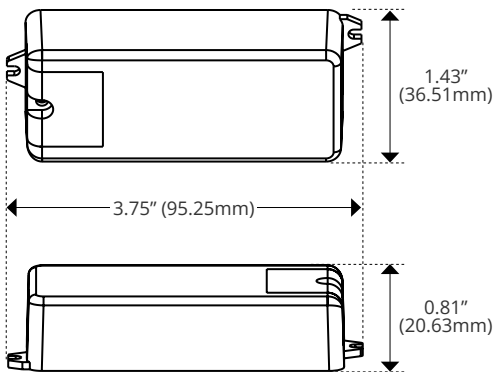
Specifications

| | |
|------------------|------------------------------|
| Category | Controls and Dimmers |
| Series | 0-10V |
| Family | 1CH |
| Environment | IP20 |
| Input Voltage | 12 - 24V DC |
| Output Voltage | 1 x 8A |
| Dimming Range | 0% - 100% |
| Dimming Protocol | Dali-2 |
| Length | 3.75in (95.25mm) |
| Width | 1.43in (36.51mm) |
| Height | 0.81in (20.63mm) |
| Operating Temp. | -4°F (-20°C) to 122°F (50°C) |

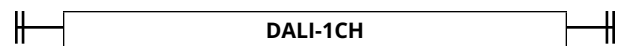
Features

- 1-Channel Dali Dimming Module
- 0-100% Logarithmic Dimming Range
- 256 Dim Increments for Smooth Transitions
- Analog Dim Driver With Dali Signal Input
- PWM Output

Dimensions



Order Code



Kelvix reserves the right to update the product specifications at any time. Field modifications will void Kelvix warranty

Fixture Type _____

Project Name _____

Location _____



Wiring Details

DALI 1 Channel Dimmer

Wiring Diagrams

