

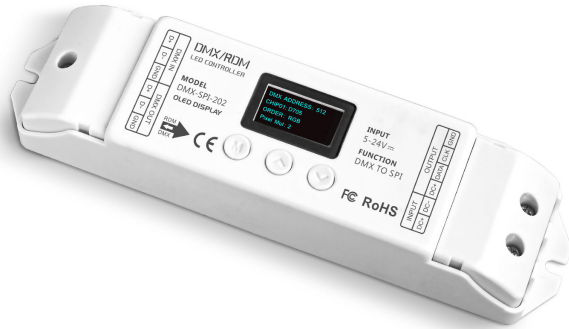


# Product Details

## DMX to SPI Pixel Decoder

# DMX to SPI Pixel Decoder

SPI Pixel DMX Decoder  
1 Universe



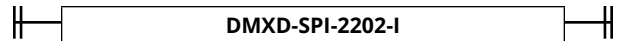
### Specifications

Category	Controls and Dimmers
Series	DMX
Family	SPI
Input Voltage	5 - 24V DC
Output Voltage	5 - 24V DC
Output Signal	SPI
Length	7.0in (177.8mm)
Width	1.73in (44.05mm)
Height	1.19in (30.16mm)
Operating Temp.	14°F (-10°C) to 113°F (45°C)

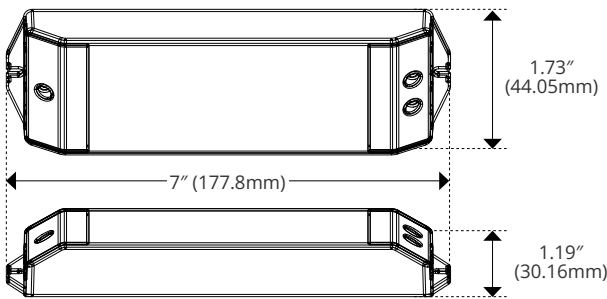
### Features

- O-LED Display for Setting Adjustment and Monitoring
- Selectable IC type for use with a variety of Digital Pixel SPI Products
- Standard DMX512 Communication
- Supports Remote Addressing via RDM Protocol
- Pre-built Test Scenes for "Self-Testing"

### Order Code



### Dimensions



Kelvix reserves the right to update the product specifications at any time. Field modifications will void Kelvix warranty

Fixture Type \_\_\_\_\_

Project Name \_\_\_\_\_

Location \_\_\_\_\_



# Product Details

## DMX to SPI Pixel Decoder

### Important Information Regarding DMX512 Systems

#### DMX WIRING

Per PLASA and USITT standards, 120 ohm, twisted shielded, EIA-485 cable is suitable for DMX512 data. For distances up to 1000ft, Kelvix recommends Belden 9841/9842 or equivalent.

#### SPLITTING & REPEATING

DMX Signal can typically only run across 32 devices that are daisy chained together before a new DMX line is needed. Systems with more than 32 devices will need either a DMX splitter or a DMX repeater.

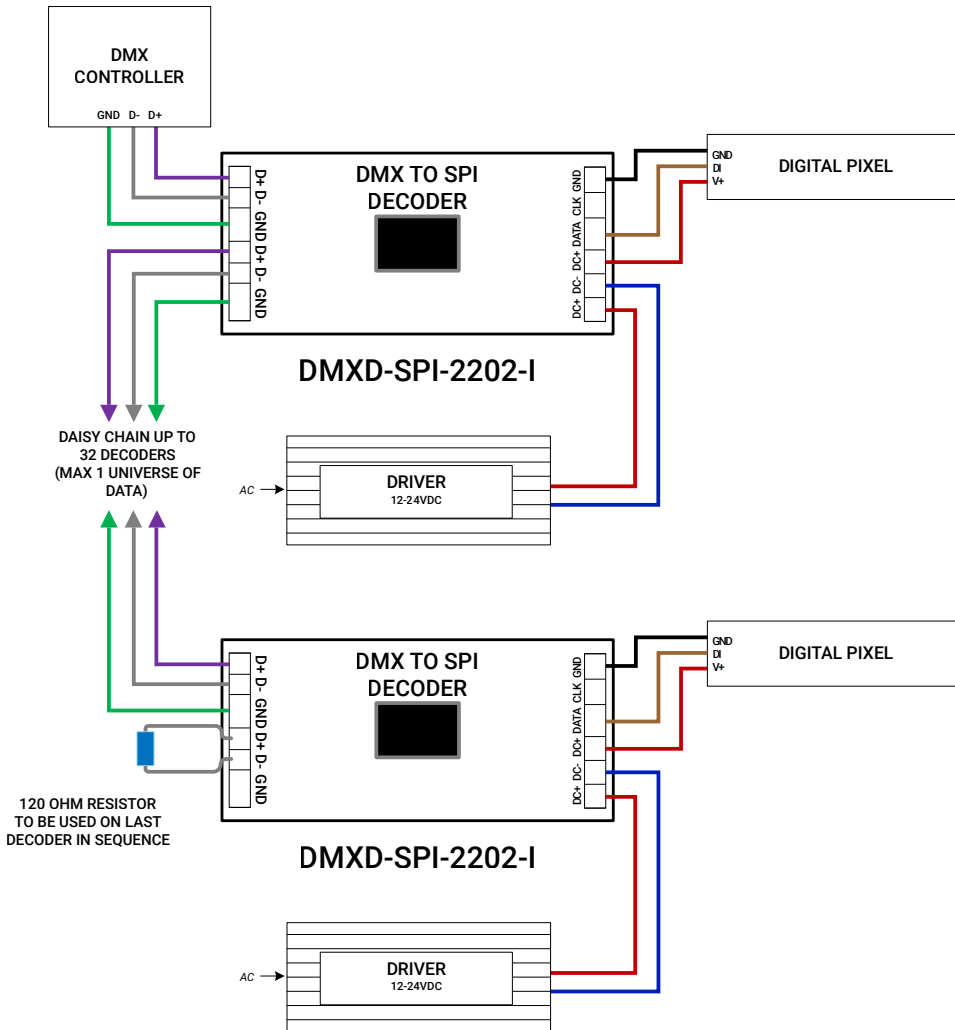
#### TERMINATIONS

It is highly recommended to use a Terminator on the last device in a single run of DMX to help reduce noise, reflection, and interference. Terminators should be a 120-ohm 1/2 watt resistor.

#### DISTANCE LIMITATIONS

Each SPI Decoder must be located within 30ft of the start of its fixture. Distances longer than 30ft introduce risk of flicker.

### Wiring Diagrams



Kelvix reserves the right to update the product specifications at any time. Field modifications will void Kelvix warranty

Fixture Type \_\_\_\_\_

Project Name \_\_\_\_\_

Location \_\_\_\_\_