



Complete Specification Sheet

DMX 4CH Decoder

DMX 4CH Decoder

DMX Decoder
4 Channel 5 A/ch



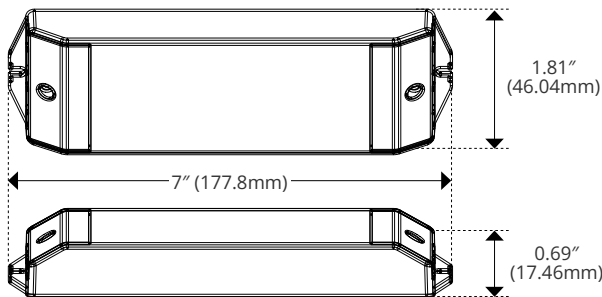
Specifications

Category	Controls and Dimmers
Series	DMXD
Family	Decoder
Environment	IP20
Input Voltage	12 - 24V DC
Output Voltage	4 x 5A
Length	7.0in (177.8mm)
Width	1.81in (46.04mm)
Height	0.69in (17.46mm)
Operating Temp.	-13°F (-25°C) to 122°F (50°C)

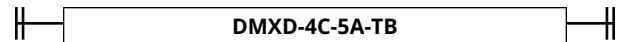
Features

- RGBW 4-Channel DMX Decoder
- Standard DMX512 Compliant Interface
- Digital Numeric Display for DMX Address Assignment
- Adjustable Pulse Width Modulation Frequency
- Switchable Logarithmic or Linear Dimming

Dimensions



Order Code



Kelvix reserves the right to update the product specifications at any time. Field modifications will void Kelvix warranty

Fixture Type _____

Project Name _____

Location _____



Wiring Details

DMX 4CH Decoder

Important Information Regarding DMX512 Systems

DMX WIRING

Per PLASA and USITT standards, 120 ohm, twisted shielded, EIA-485 cable is suitable for DMX512 data. For distances up to 1000ft, Kelvix recommends Belden 9841/9842 or equivalent.

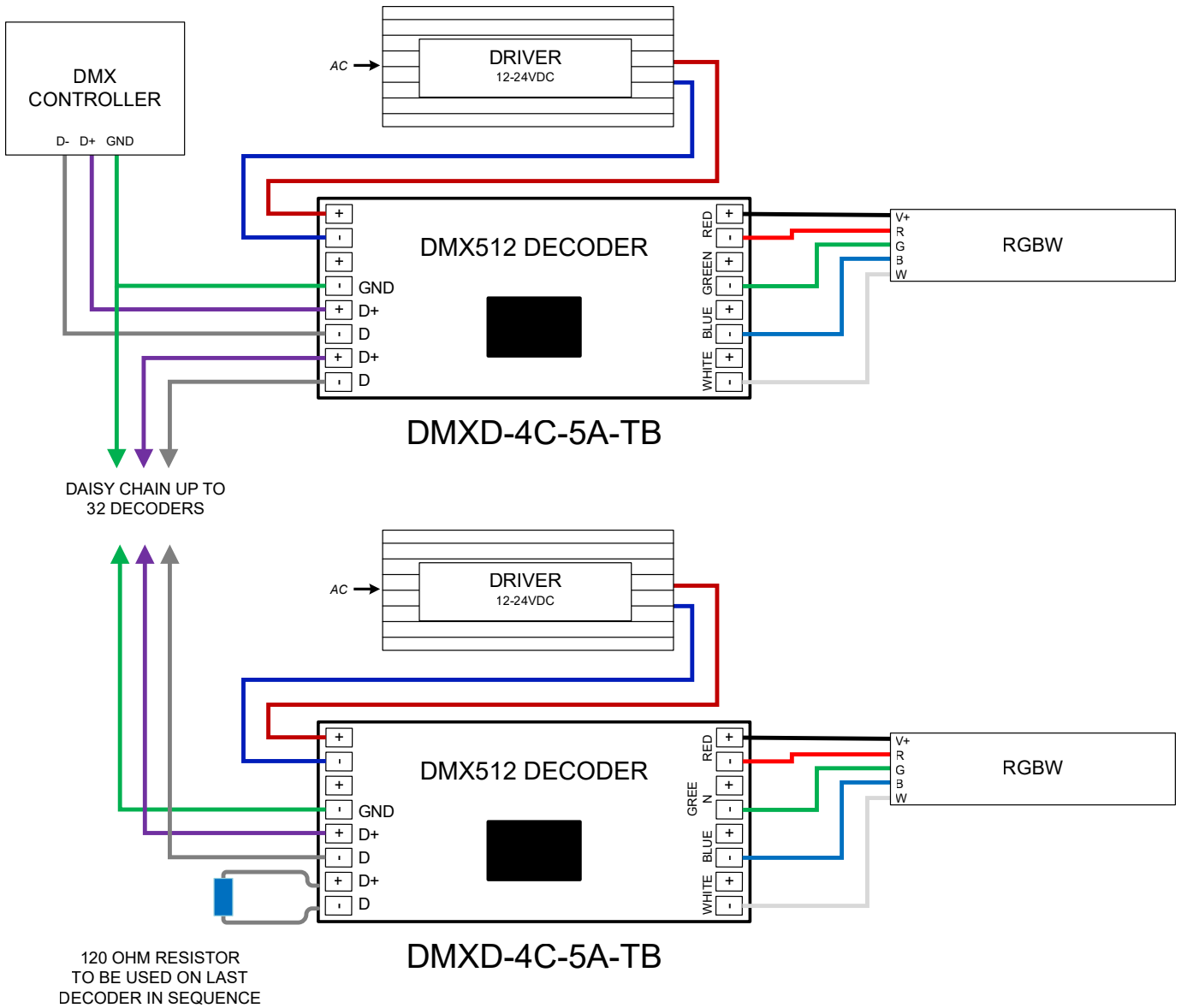
SPLITTING & REPEATING

DMX Signal can typically only run across 32 devices that are daisy chained together before a new DMX line is needed. Systems with more than 32 devices will need either a DMX splitter or a DMX repeater.

TERMINATIONS

It is highly recommended to use a Terminator on the last device in a single run of DMX to help reduce noise, reflection, and interference. Terminators should be a 120-ohm 1/2 watt resistor.

Wiring Diagrams



Kelvix reserves the right to update the product specifications at any time. Field modifications will void Kelvix warranty

Fixture Type _____

Project Name _____

Location _____