



# Complete Specification Sheet

## CH-607

CHANNEL

# Channel 607

Extruded Aluminum Mounting Channel



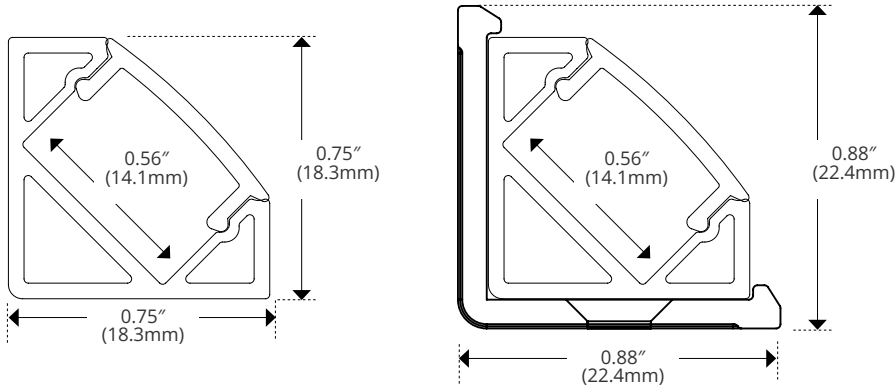
### Specifications

<b>Category</b>	Rigid Channel
<b>Series</b>	Adjustable / Surface
<b>Family</b>	CH-607
<b>Width</b>	0.75in (18.3mm)
<b>Width w/ Mounting Clip</b>	0.88in (22.4mm)
<b>Internal Width</b>	0.56in (14.1mm)
<b>Height</b>	0.75in (18.3mm)
<b>Height w/ Mounting Clip</b>	0.88in (22.4mm)
<b>Material</b>	Aluminum

### Features

- Available in 2 Meter Sections
- Extruded Aluminum Construction
- Anodized Matte Finish
- Consult Factory for Custom Lengths & Finishes

### Dimensions



Kelvix reserves the right to update the product specifications at any time. To maintain warranty, field modifications must follow approved Kelvix installation instruction.

Fixture Type \_\_\_\_\_

Project Name \_\_\_\_\_

Location \_\_\_\_\_

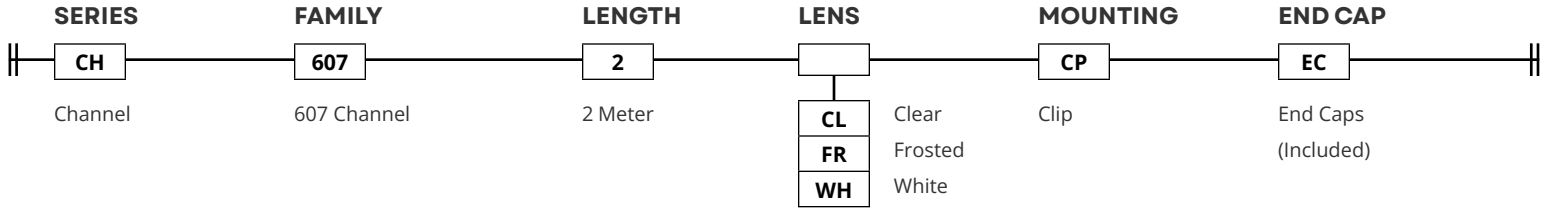


# Product Code Builder

## CH-607

### Product Code Builder

Example: CH-607-2-WH-CP-EC



#### LENS

Clear



CH-LNS-A-CL-2M

Frosted



CH-LNS-A-FR-2M

White



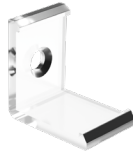
CH-LNS-A-WH-2M

#### TRANSMISSION

CL	99%
FR	80%
WH	57%

#### MOUNTING

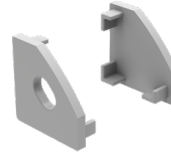
Clip



CH-607-PAK-P

#### END CAP

End Cap



CH-607-PAK

Kelvix reserves the right to update the product specifications at any time. To maintain warranty, field modifications must follow approved Kelvix installation instruction.

Fixture Type \_\_\_\_\_

Project Name \_\_\_\_\_

Location \_\_\_\_\_