



# Complete Specification Sheet

## CH-502-A

CHANNEL



# Channel 502-A

Extruded Aluminum Mounting Channel

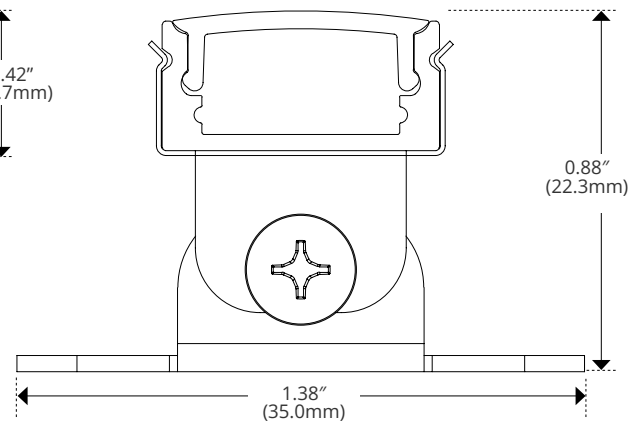
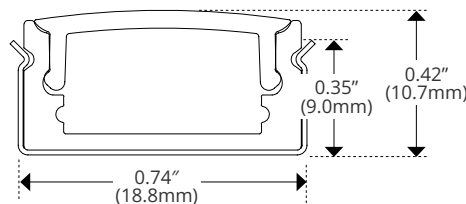
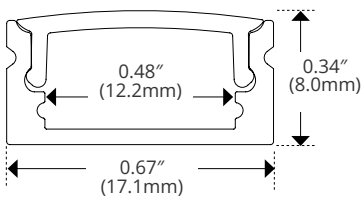
### Specifications

<b>Category</b>	Rigid Channel
<b>Series</b>	Adjustable / Surface
<b>Family</b>	CH-502-A
<b>Width</b>	0.67in (17.1mm)
<b>Internal Width</b>	0.48in (12.2mm)
<b>Height</b>	0.34in (8.0mm)
<b>Material</b>	Aluminum

### Features

- Available in 2 Meter Sections
- Extruded Aluminum Construction
- Anodized Matte Finish
- Consult Factory for Custom Lengths & Finishes

### Dimensions



Kelvix reserves the right to update the product specifications at any time. To maintain warranty, field modifications must follow approved Kelvix installation instruction.

Fixture Type \_\_\_\_\_

Project Name \_\_\_\_\_

Location \_\_\_\_\_

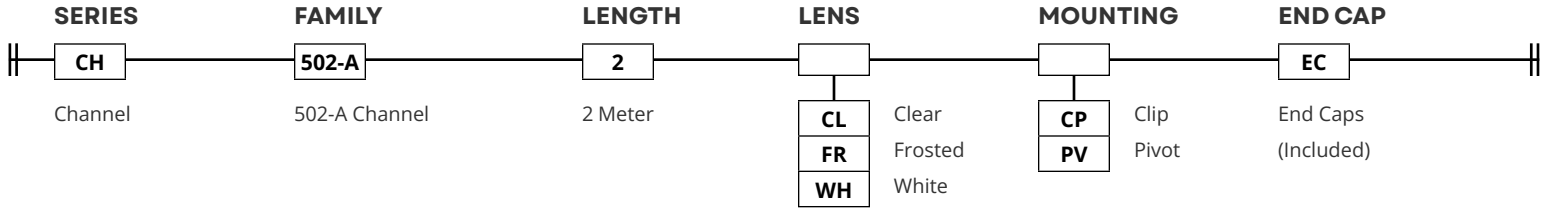


# Product Code Builder

## CH-502-A

### Product Code Builder

Example: CH-502-A-2-WH-CP-EC



#### LENS

Clear



CH-LNS-A-CL-2M

Frosted



CH-LNS-A-FR-2M

White



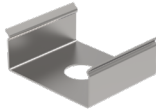
CH-LNS-A-WH-2M

#### TRANSMISSION

CL	99%
FR	80%
WH	57%

#### MOUNTING

Clip



CH-502-PAK-CP

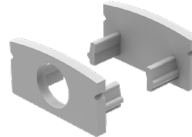
Pivot



CH-502-PAK-PV

#### END CAP

End Cap



CH-502-PAK

Kelvix reserves the right to update the product specifications at any time. To maintain warranty, field modifications must follow approved Kelvix installation instruction.

Fixture Type \_\_\_\_\_

Project Name \_\_\_\_\_

Location \_\_\_\_\_