

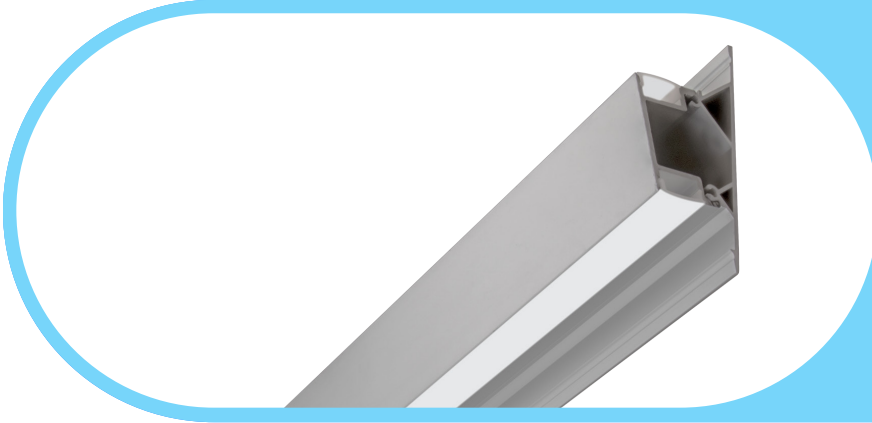


# Complete Specification Sheet

## CH-242-M

# CH-242-M

Extruded Aluminum Mounting Channel



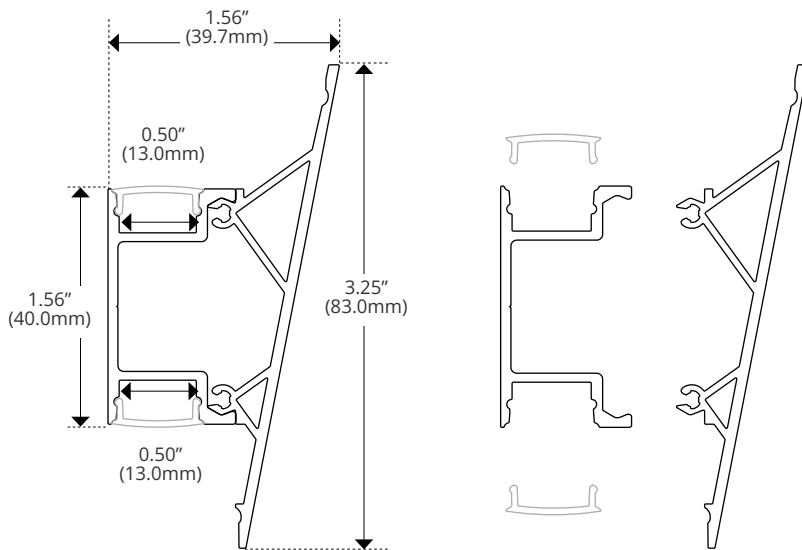
### Specifications

<b>Category</b>	Rigid Channel
<b>Series</b>	Recessed / Wall Mounted
<b>Family</b>	CH-242-M
<b>Width</b>	1.56in (39.7mm)
<b>Internal Width</b>	0.50in (13.0mm)
<b>Height</b>	3.25in (83.0mm)
<b>Material</b>	Aluminum

### Features

- Available in 2 Meter Sections
- Extruded Aluminum Construction
- Anodized Matte Finish
- Consult Factory for Custom Lengths & Finishes

### Dimensions



Kelvix reserves the right to update the product specifications at any time. To maintain warranty, field modifications must follow approved Kelvix installation instruction.

Fixture Type \_\_\_\_\_

Project Name \_\_\_\_\_

Location \_\_\_\_\_

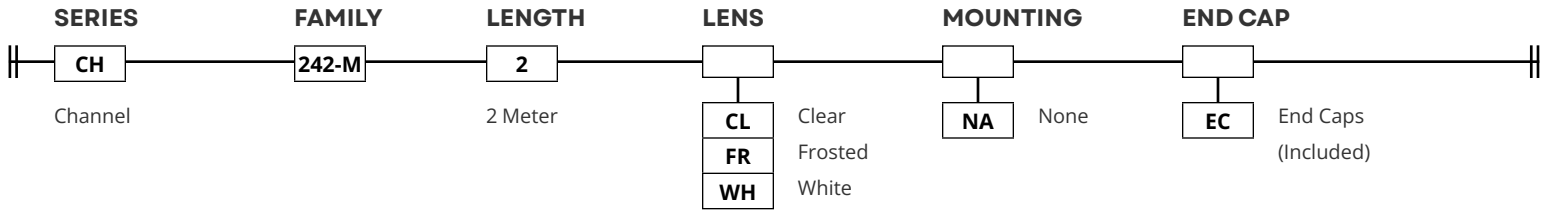


# Product Code Builder

## CH-242-M

### Product Code Builder

Example: CH-242-M-2-WH-NA-EC



#### LENS

Clear



CH-LNS-M-CL-2M

Frosted



CH-LNS-M-FR-2M

White



CH-LNS-M-WH-2M

#### END CAP

End Cap



CH-EC-242

Kelvix reserves the right to update the product specifications at any time. To maintain warranty, field modifications must follow approved Kelvix installation instruction.

Fixture Type \_\_\_\_\_

Project Name \_\_\_\_\_

Location \_\_\_\_\_