



Complete Specification Sheet

CH-241-M

CH-241-M

Extruded Aluminum Mounting Channel



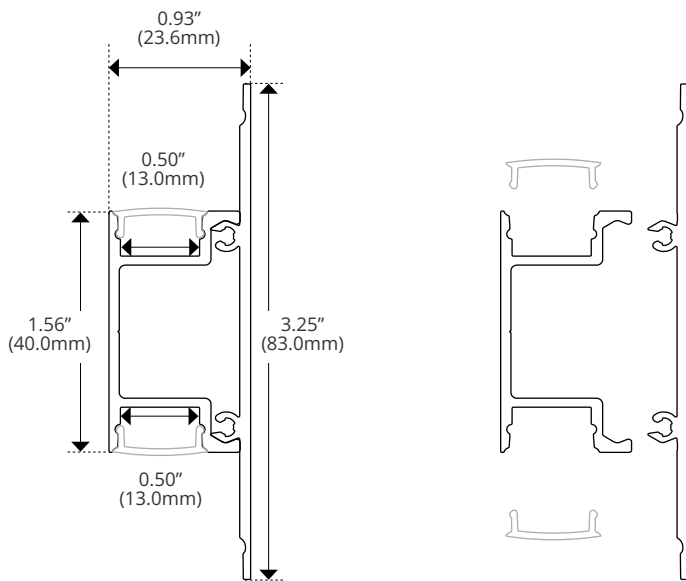
Specifications

Category	Rigid Channel
Series	Recessed / Wall Mounted
Family	CH-241-M
Width	0.93in (23.6mm)
Internal Width	0.50in (13.0mm)
Height	3.25in (83.0mm)
Material	Aluminum

Features

- Available in 2 Meter Sections
- Extruded Aluminum Construction
- Anodized Matte Finish
- Consult Factory for Custom Lengths & Finishes

Dimensions



Kelvix reserves the right to update the product specifications at any time. To maintain warranty, field modifications must follow approved Kelvix installation instruction.

Fixture Type _____

Project Name _____

Location _____

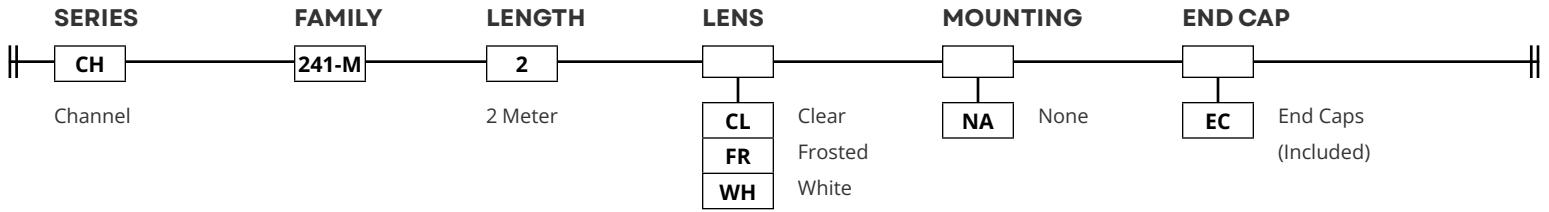


Product Code Builder

CH-241-M

Product Code Builder

Example: CH-241-M-2-WH-NA-EC



LENS


Clear



CH-LNS-M-CL-2M


END CAP

End Cap




CH-EC-241

Frosted



CH-LNS-M-FR-2M

White



CH-LNS-M-WH-2M

Kelvix reserves the right to update the product specifications at any time. To maintain warranty, field modifications must follow approved Kelvix installation instruction.

Fixture Type _____

Project Name _____

Location _____