

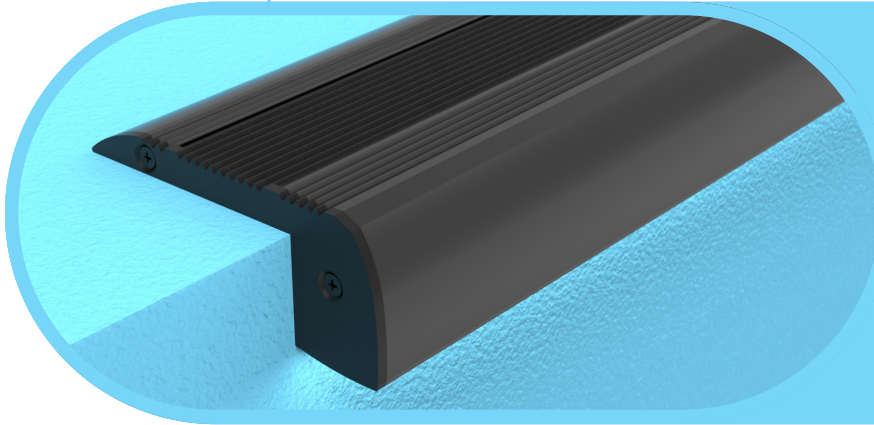


# Complete Specification Sheet

## CH-224

# CH-224

Extruded Aluminum Mounting Channel



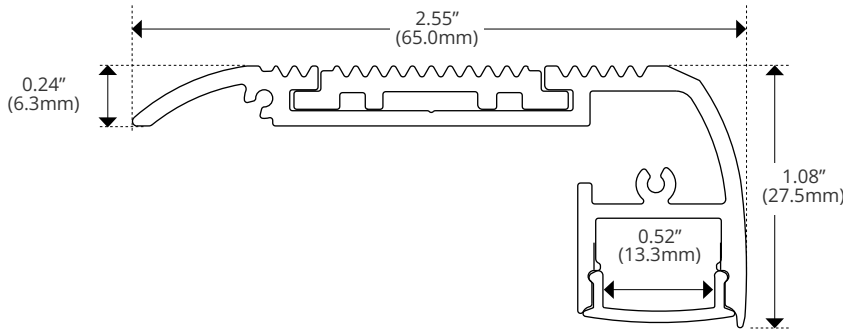
### Specifications

<b>Category</b>	Rigid Channel
<b>Series</b>	Recessed / Wall Mounted
<b>Family</b>	CH-224
<b>Width</b>	2.55in (65.0mm)
<b>Internal Width</b>	0.52in (13.3mm)
<b>Height</b>	1.08in (27.5mm)
<b>Material</b>	Aluminum

### Features

- Available in 2 Meter Sections
- Extruded Aluminum Construction
- Aluminum (Black Anodized)
- Consult Factory for Custom Lengths & Finishes

### Dimensions



Kelix reserves the right to update the product specifications at any time. To maintain warranty, field modifications must follow approved Kelix installation instruction.

Fixture Type \_\_\_\_\_

Project Name \_\_\_\_\_

Location \_\_\_\_\_

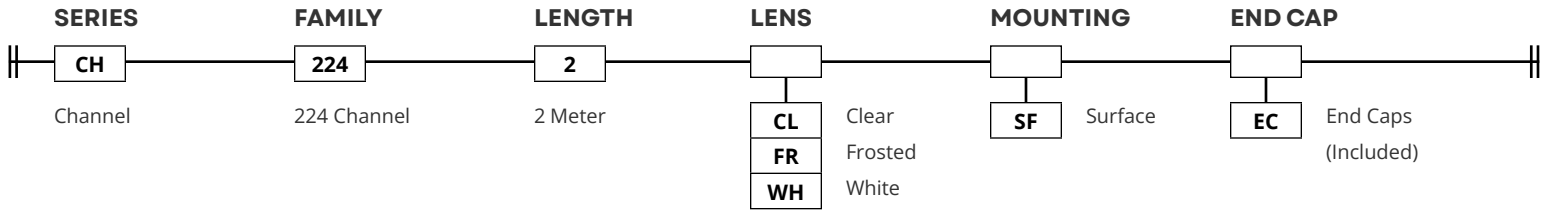


# Product Code Builder

## CH-224

### Product Code Builder

Example: CH-224-2-WH-SF-EC



**LENS**

**Clear**



CH-LNS-A-CL-2M


**END CAP**

**End Cap**




CH-EC-224

**Frosted**



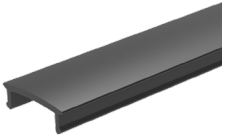
CH-LNS-A-FR-2M

**White**



CH-LNS-A-WH-2M

**Black**



CH-LNS-A-BK-2M

Kelvix reserves the right to update the product specifications at any time. To maintain warranty, field modifications must follow approved Kelvix installation instruction.

Fixture Type \_\_\_\_\_

Project Name \_\_\_\_\_

Location \_\_\_\_\_