



Complete Specification Sheet

CH-222

CH-222

Extruded Aluminum Mounting Channel



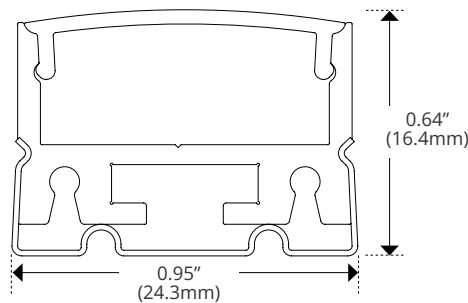
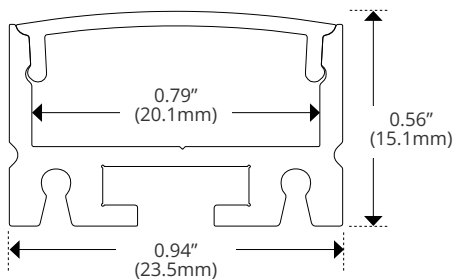
Specifications

Category	Rigid Channel
Series	Adjustable / Surface
Family	CH-222
Width	0.94in (23.5mm)
Internal Width	0.79in (20.1mm)
Height	0.56in (15.1mm)
Material	Aluminum

Features

- Available in 2 Meter Sections
- Extruded Aluminum Construction
- Anodized Matte Finish
- Consult Factory for Custom Lengths & Finishes

Dimensions



Kelvix reserves the right to update the product specifications at any time. To maintain warranty, field modifications must follow approved Kelvix installation instruction.

Fixture Type _____

Project Name _____

Location _____

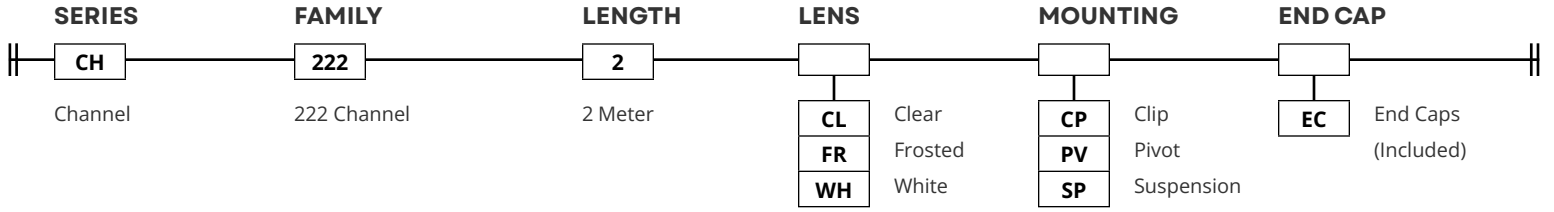


Product Code Builder

CH-222

Product Code Builder

Example: CH-222-2-WH-CP-EC



LENS

Clear

CH-LNS-222-CL-2M

TRANSMISSION

CL	96%
FR	95%
WH	65%

MOUNTING

Clip

CH-CLP-222-M

END CAP

End Cap

CH-EC-222

Frosted

CH-LNS-222-FR-2M

Pivot

CH-CLP-222-M-ADJ

White

CH-LNS-222-WH-2M

Suspension

CH-S-228

Kelvix reserves the right to update the product specifications at any time. To maintain warranty, field modifications must follow approved Kelvix installation instruction.

Fixture Type _____

Project Name _____

Location _____