

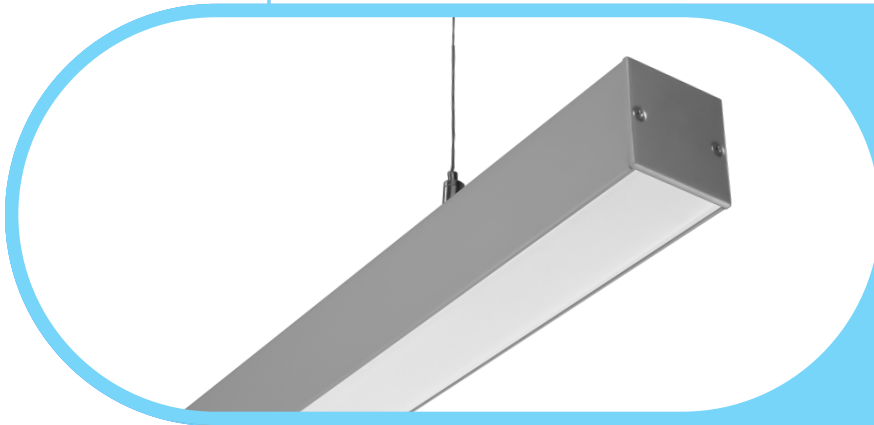


Complete Specification Sheet

CH-218-N

CH-218-N

Extruded Aluminum Mounting Channel



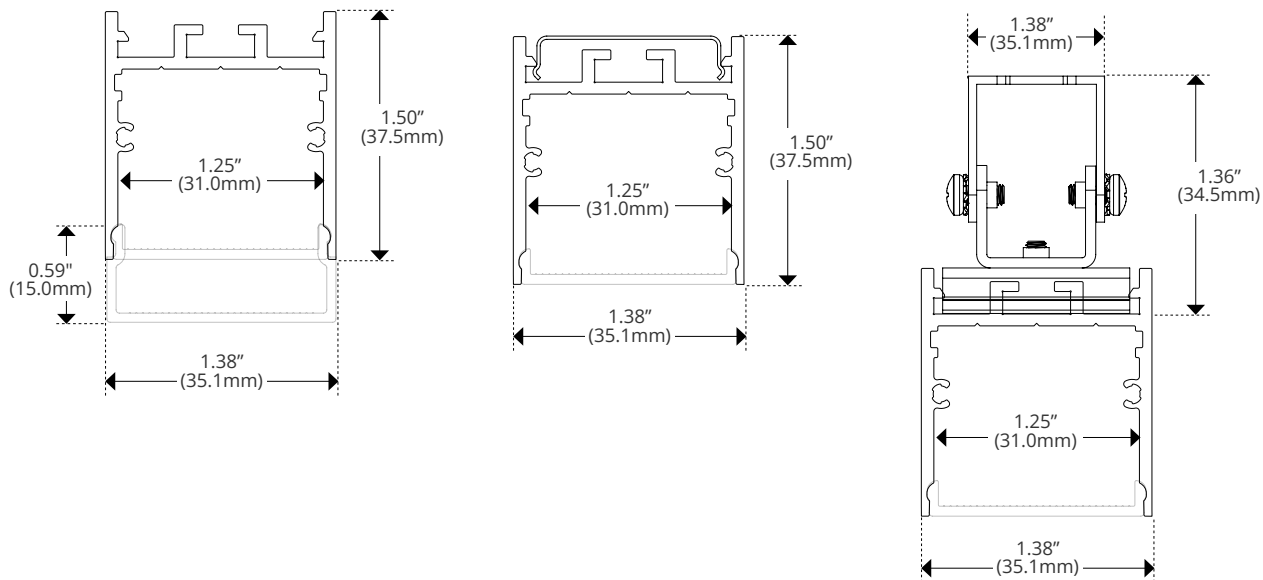
Specifications

Category	Rigid Channel
Series	Recessed
Family	CH-218-N
Width	1.38in (35.1mm)
Internal Width	1.25" (31.0mm)
Height	1.50in (37.5mm)
Material	Aluminum

Features

- Available in 2 Meter Sections
- Extruded Aluminum Construction
- Anodized Matte Finish
- Consult Factory for Custom Lengths & Finishes
- Available with continuous solid white Lens

Dimensions



Kelvix reserves the right to update the product specifications at any time. To maintain warranty, field modifications must follow approved Kelvix installation instruction.

Fixture Type _____

Project Name _____

Location _____

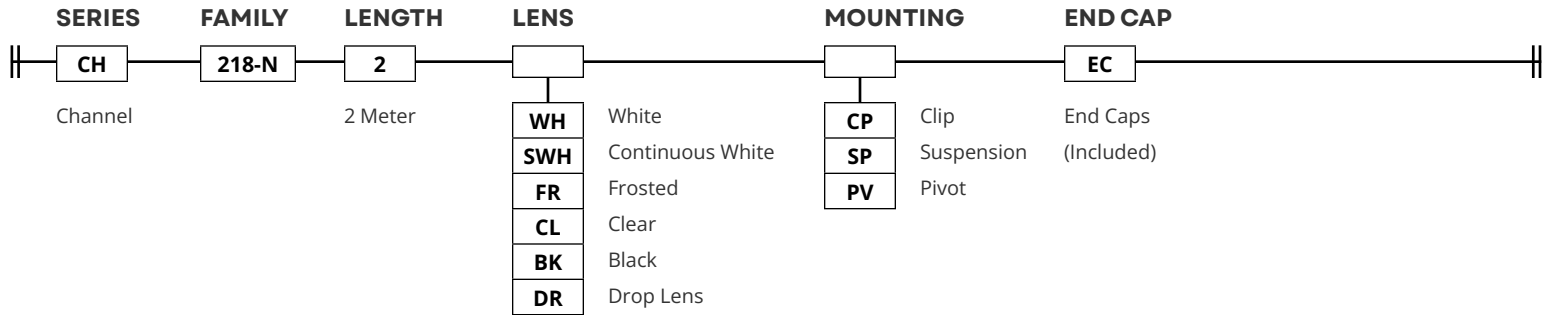


Product Code Builder

CH-218-N

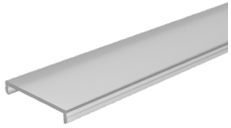
Product Code Builder

Example: CH-217-N-2-WH-CP-EC



LENS

White / Continuous



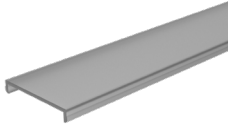
CH-LNS-N-WH-2M

Drop Lens



CH-LNS-218-DR-WH-2M

Frosted



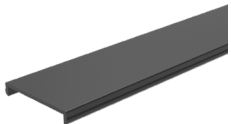
CH-LNS-N-FR-2M

Clear



CH-LNS-N-CL-2M

Black



CH-LNS-N-BK-2M

TRANSMISSION

WH	55%
SWH	55%
FR	88%
CL	92%
BK	18%

MOUNTING

Clip



CH-218-R1-PAK

Suspension



CH-S-228

Pivot



CH-218-R1-PAK-PV

END CAP

End Cap



CH-EC-218

ACCESSORIES SOLD SEPARATELY

90° Horizontal Connector



CH-CON-01-90H

90° Vertical Connector



CH-CON-01-90V

110° Connector



CH-CON-01-110H

180° Connector



CH-CON-21X-180

Aluminum Cover



CH-LNS-N-MT-2M

Kelvix reserves the right to update the product specifications at any time. To maintain warranty, field modifications must follow approved Kelvix installation instruction.

Fixture Type _____

Project Name _____

Location _____