

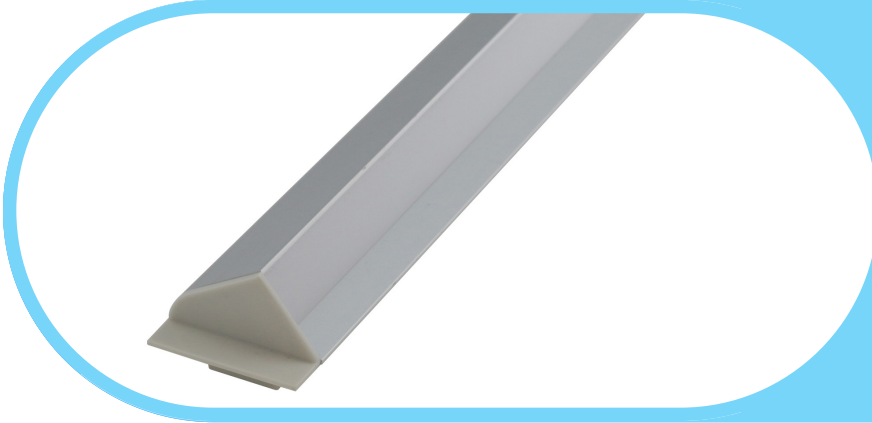


Complete Specification Sheet

CH-206-M

Channel 206-M

Extruded Aluminum Mounting Channel



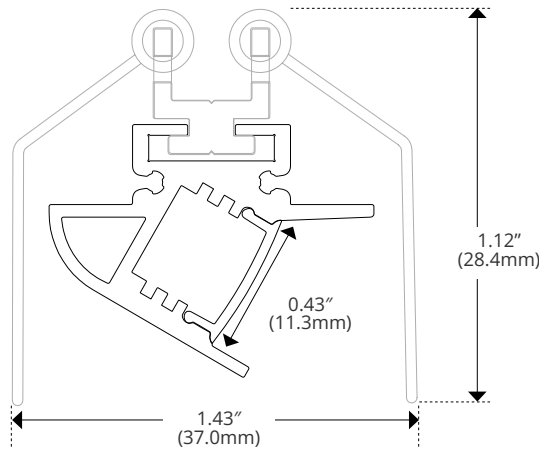
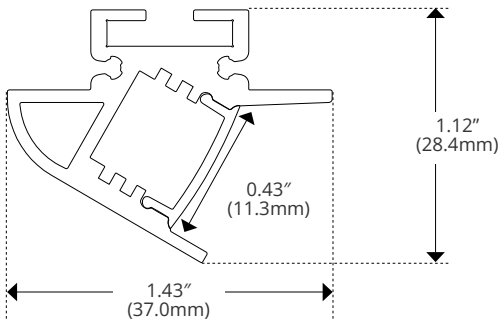
Specifications

Category	Rigid Channel
Series	Adjustable / Surface
Family	CH-206-M
Width	1.43in (37.0mm)
Internal Width	0.43in (11.3mm)
Height	1.12in (28.4mm)
Material	Aluminum

Features

- Available in 2 Meter Sections
- Extruded Aluminum Construction
- Anodized Matte Finish
- Consult Factory for Custom Lengths & Finishes

Dimensions



Kelvix reserves the right to update the product specifications at any time. To maintain warranty, field modifications must follow approved Kelvix installation instruction.

Fixture Type _____

Project Name _____

Location _____

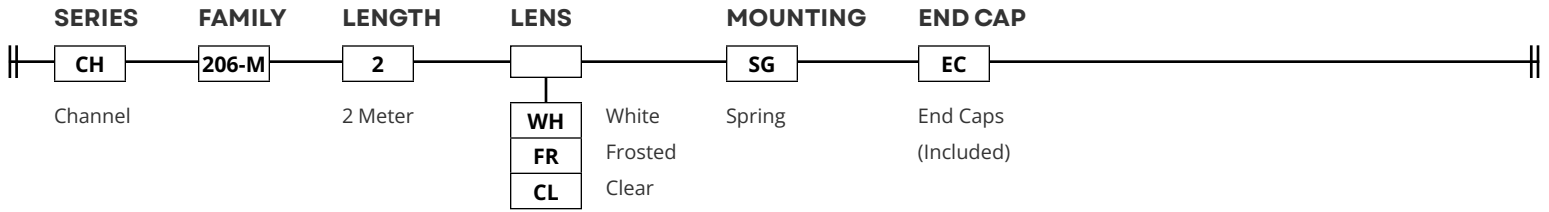


Product Code Builder

CH-206-M

Product Code Builder

Example: CH-206-M-2-WH-CP-EC



LENS

White



CH-LNS-M-WH-2M

Frosted



CH-LNS-M-FR-2M

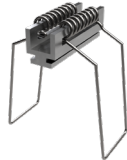
Clear



CH-LNS-M-CL-2M

MOUNTING

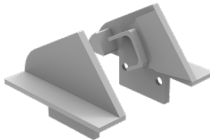
Spring Clip



CH-CLP-206-M

END CAP

End Cap



CH-206-PAK-M

Kelvix reserves the right to update the product specifications at any time. To maintain warranty, field modifications must follow approved Kelvix installation instruction.

Fixture Type _____

Project Name _____

Location _____