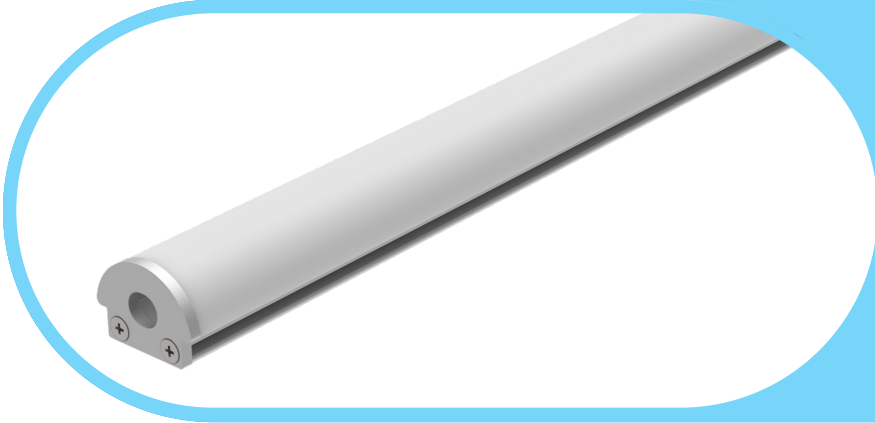




Complete Specification Sheet

CH-202



Channel 202

Extruded Aluminum Mounting Channel

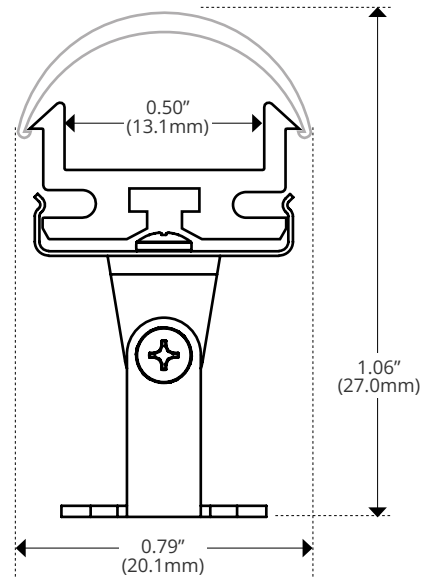
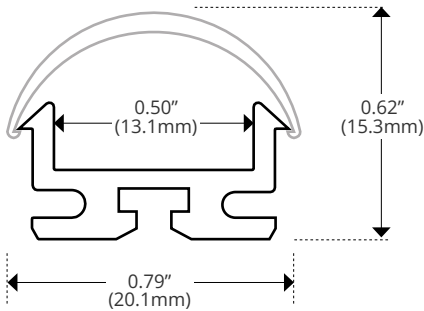
Specifications

Category	Rigid Channel
Series	Adjustable / Surface
Family	CH-202
Width	0.79in (20.1mm)
Internal Width	0.50in (13.1mm)
Height	0.62in (15.3mm)
Material	Aluminum

Features

- Available in 2 Meter Sections
- Extruded Aluminum Construction
- Anodized Matte Finish
- Consult Factory for Custom Lengths & Finishes

Dimensions



Kelvix reserves the right to update the product specifications at any time. To maintain warranty, field modifications must follow approved Kelvix installation instruction.

Fixture Type _____

Project Name _____

Location _____

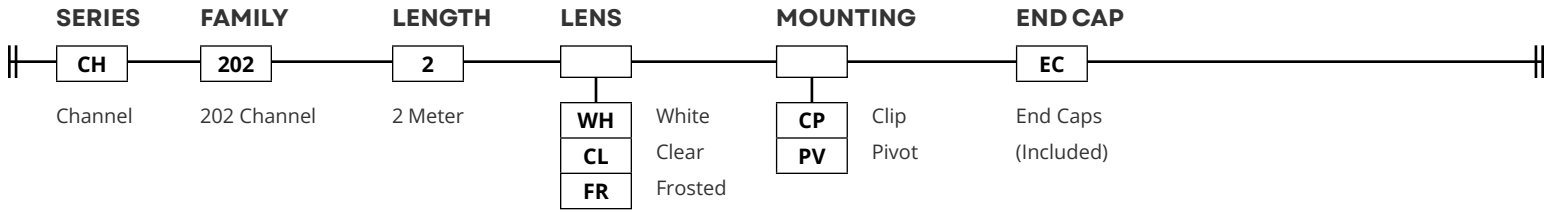


Product Code Builder

CH-202

Product Code Builder

Example: CH-202-2-WH-CP-EC



LENS

White




CH-LNS-202-WH-2M

TRANSMISSION

WH	57%
----	-----

MOUNTING

Clip



CH-202-PAK-M

END CAP

End Cap



CH-202-PAK-M

Clear




CH-LNS-202-CL-2M

Pivot



CH-202-PAK-PV

Frosted



CH-LNS-202-FR-2M

Kelvix reserves the right to update the product specifications at any time. To maintain warranty, field modifications must follow approved Kelvix installation instruction.

Fixture Type _____

Project Name _____

Location _____