

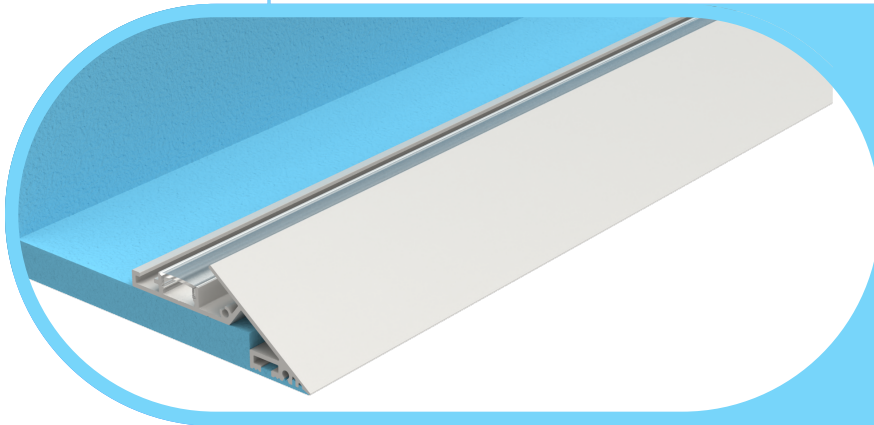


Complete Specification Sheet

CH-091

Channel 091

Knife Edge Extruded Aluminum Mounting Channel



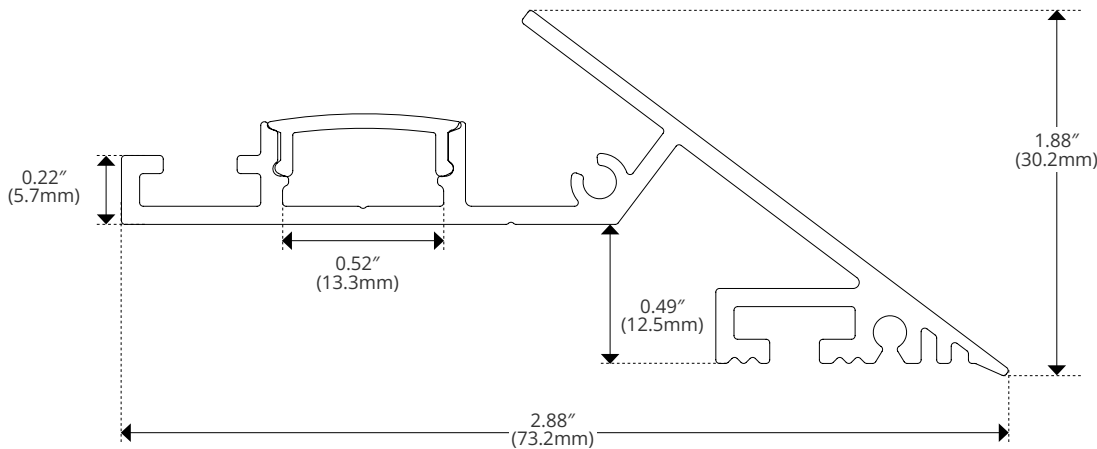
Specifications

Category	Rigid Channel
Series	Knife Edge
Family	CH-091
Width	2.88in (73.2mm)
Internal Width	0.52in (13.3mm)
Height	1.88in (30.2mm)
Material	Aluminum

Features

- Available in 2 Meter Sections
- Extruded Aluminum Construction
- Primer White Powder Coat Finish
- Consult Factory for Custom Lengths & Finishes
- Mitered Corner Available Upon Request
- Intended For Existing 1/2" Drywall

Dimensions



Kelvix reserves the right to update the product specifications at any time. To maintain warranty, field modifications must follow approved Kelvix installation instruction.

Fixture Type _____

Project Name _____

Location _____

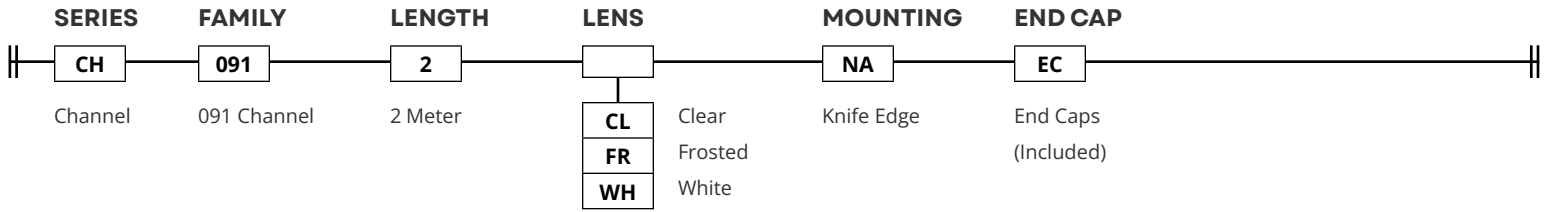


Product Code Builder

CH-091

Product Code Builder

Example: CH-091-2-FR-NA-EC



LENS

Clear



CH-LNS-A-CL-2M

Frosted



CH-LNS-A-FR-2M

White



CH-LNS-A-WH-2M

END CAP

End Cap



CH-EC-091

ACCESSORIES SOLD SEPARATELY

90° Horizontal Connector



CH-CON-01-90H

180° Connector



CH-CON-01-180

Kelvix reserves the right to update the product specifications at any time. To maintain warranty, field modifications must follow approved Kelvix installation instruction.

Fixture Type _____

Project Name _____

Location _____