

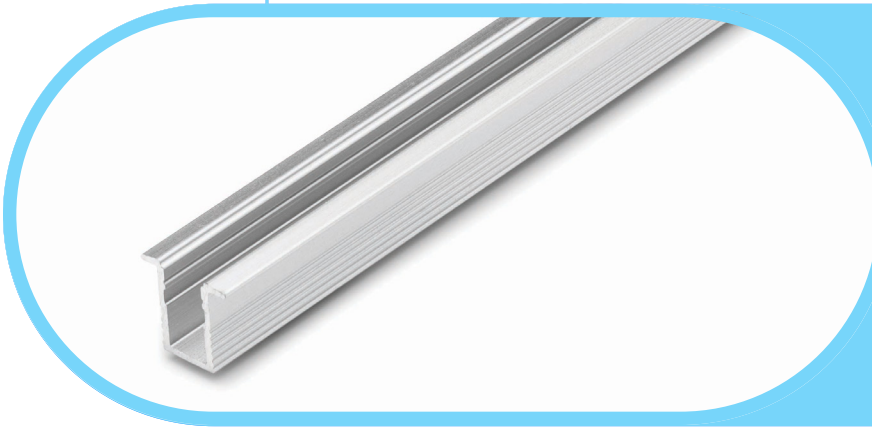


Complete Specification Sheet

CH-0404

CH-0404

Extruded Aluminum Mounting Channel



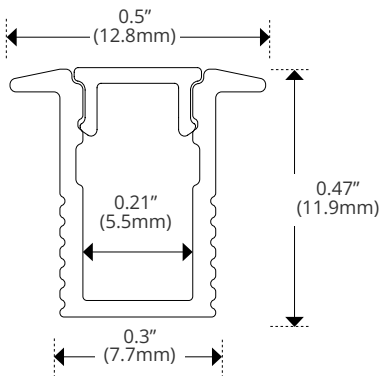
Specifications

Category	Rigid Channel
Series	Recessed
Family	CH-0404
Width	0.5in (12.8mm)
Internal Width	0.21in (5.5mm)
Height	0.47in (11.9mm)
Material	Aluminum

Features

- Available in 2 Meter Sections
- Extruded Aluminum Construction
- Anodized Matte Finish
- Consult Factory for Custom Lengths & Finishes
- Add Linear Lighting to the Tightest of Spaces With Our Thin Line Tape and Channel
- Store in Temperature-Controlled Environment.

Dimensions



Kelix reserves the right to update the product specifications at any time. To maintain warranty, field modifications must follow approved Kelix installation instruction.

Fixture Type _____

Project Name _____

Location _____

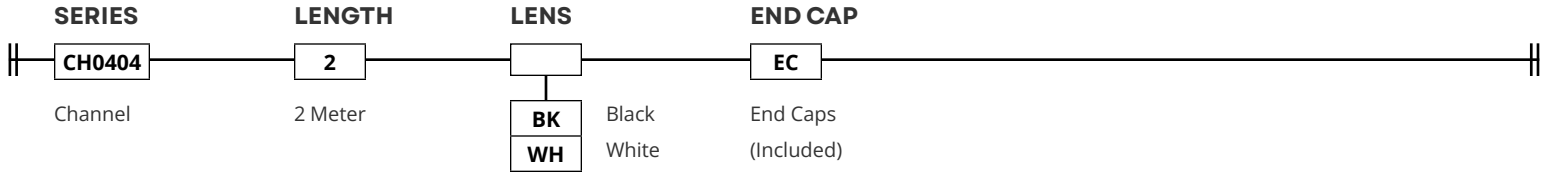


Product Code Builder

CH-0404

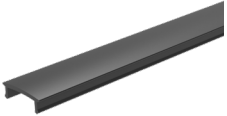
Product Code Builder

Example: CH0404-2-WH-EC



LENS

Black



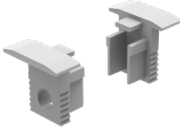
CH-LNS-AI-BK-2M

TRANSMISSION

BK	16%
WH	37%


END CAP

End Cap



CH-EC-0404

White



CH-LNS-AI-WH-2M

Kelvix reserves the right to update the product specifications at any time. To maintain warranty, field modifications must follow approved Kelvix installation instruction.

Fixture Type _____

Project Name _____

Location _____