



# Complete Specification Sheet

## CH-0403

### CH-0403

Extruded Aluminum Mounting Channel



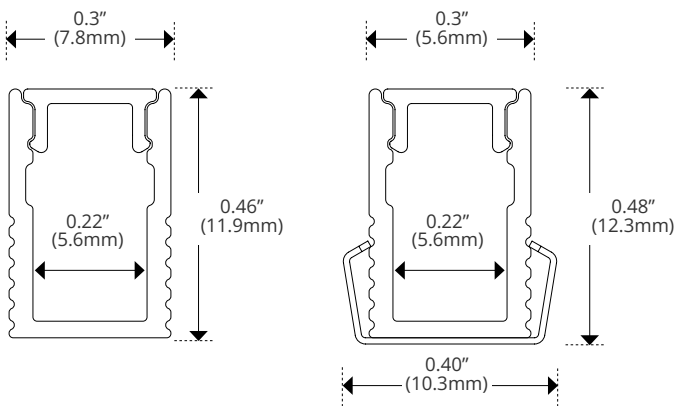
### Specifications

<b>Category</b>	Rigid Channel
<b>Series</b>	Adjustable / Surface
<b>Family</b>	CH-0403
<b>Width</b>	0.40in (10.1mm)
<b>Internal Width</b>	0.23in (6mm)
<b>Height</b>	0.40in (10.1mm)
<b>Material</b>	Aluminum

### Features

- Available in 2 Meter Sections
- Extruded Aluminum Construction
- Anodized Matte Finish
- Consult Factory for Custom Lengths & Finishes
- Add Linear Lighting to the Tightest of Spaces With Our Thin Line Tape and Channel
- Store in Temperature-Controlled Environment.

### Dimensions



Kelvix reserves the right to update the product specifications at any time. To maintain warranty, field modifications must follow approved Kelvix installation instruction.

Fixture Type \_\_\_\_\_

Project Name \_\_\_\_\_

Location \_\_\_\_\_

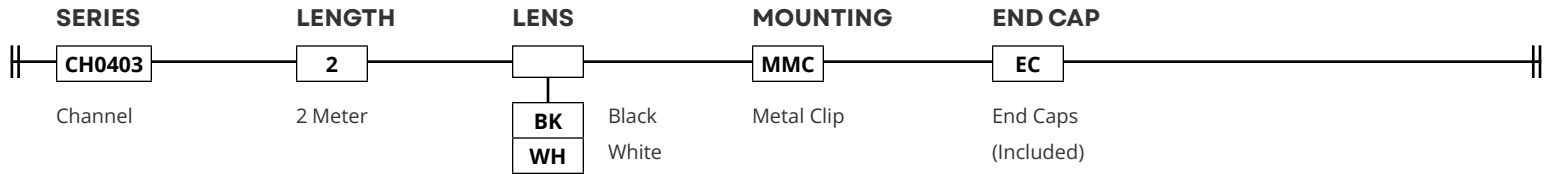


# Product Code Builder

## CH-0403

### Product Code Builder

Example: CH0403-2-WH-MMC-EC



**LENS**

**Black**



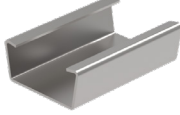
CH-LNS-AI-BK-2M

**TRANSMISSION**

BK	30%
WH	70%

**MOUNTING**

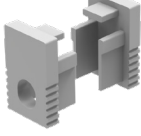
**Clip**



CH-PAK-0403


**END CAP**

**End Cap**



CH-PAK-0403

**White**



CH-LNS-AI-WH-2M

Kelvix reserves the right to update the product specifications at any time. To maintain warranty, field modifications must follow approved Kelvix installation instruction.

Fixture Type \_\_\_\_\_

Project Name \_\_\_\_\_

Location \_\_\_\_\_